

AILERON STAY FOR OLYMPIA ARN-2 Top-opening Model

L=R INSTRUCTION



- Lift-assist
 - Free-stop
 - Soft-close
- Passed 40,000 open/close private cycle test

| Opening | Description | Non-handed | Type | Maximum Door Moment |
|-------------|--|------------|------|---|
| Top-opening | Lift-assist Free-stop Soft-close | Yes | M | 4.0–6.0 N·m/pc (40.8–61.2 kgf·cm/pc) |
| | | | H | 6.0–8.0 N·m/pc (61.2–81.6 kgf·cm/pc) |

- Smooth door movement. It is specially designed for use with the OLYMPIA concealed hinge (360-D26-19).
- The lift-assist function allows for light opening of doors.
- The free-stop function enables doors to hold in position (30°–Max.).
- The soft-close function makes doors close gently (0°–30° degrees).
- Integrated design combines a concealed hinge and lid stay.
- Closing speed of doors is adjustable.

[Specifications]

- Operating temperature: 0°C – 40°C

[Parts Included]

- Door-side mounting plate
- Countersunk head tapping screw 3.5 × 1.5 (for attaching the mounting plate to AILERON)
- Binding head tapping screw 3.5 × 1.5 (for attaching the door-side mounting plate, mounting plate for AILERON, and AILERON)

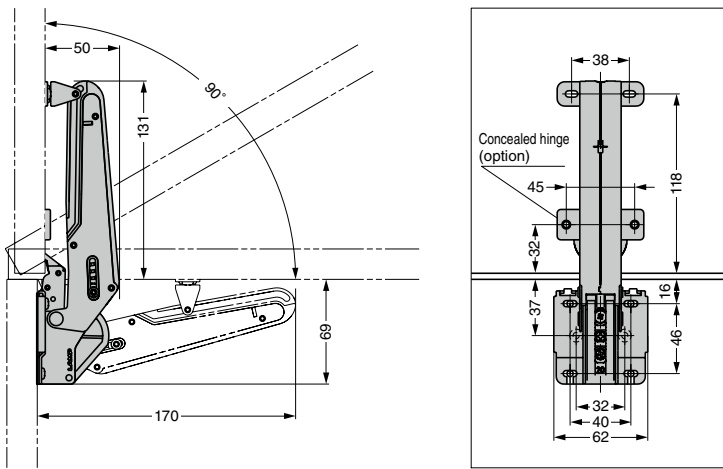
[Sold Separately]

- Mounting plate for AILERON
- OLYMPIA concealed hinge
- Mounting plate for OLYMPIA
- Screw for OLYMPIA

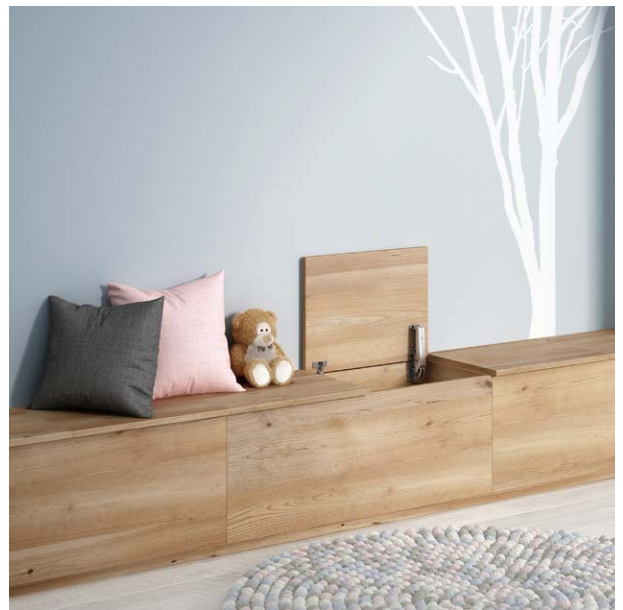
[Door Movements]

| Lift-assist | Free-stop | Soft-close |
|-----------------------------------|---|--|
| Allows for light opening of doors | Enables doors to hold in position (30°–Max.). | The built-in damper of OLYMPIA makes doors close slowly. |
| | | |
| Light opening | Holds in position | Gently closing |

[Installation]



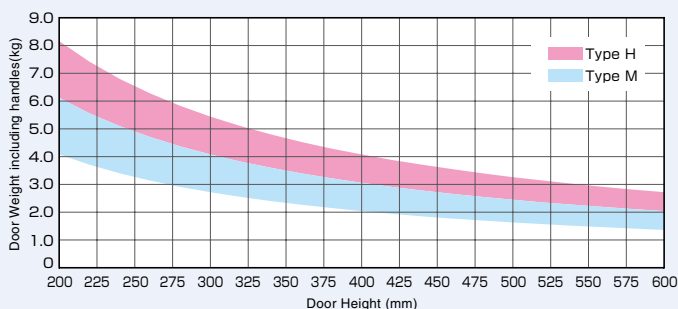
[Application Example]



[Body]

| RtHS | CAD | Item Code | Item Name | Material | Finish / Colour | Type | Maximum Door Moment N·m/pc | Maximum Door Moment kgf·cm/pc | Box (pc) | Carton (pc) |
|------|-------|-------------|-----------|--------------------|-----------------------|------|----------------------------|-------------------------------|----------|-------------|
| G | 2D/3D | 180-043-945 | ARN-2-M | Steel (SPCC) / POM | Nickel plating / Grey | M | 4.0~6.0 | 40.8~61.2 | 1 | 20 |
| G | 2D/3D | 180-043-946 | ARN-2-H | | | H | 6.0~8.0 | 61.2~81.6 | 1 | 20 |

[Selection Graph] (upward and top-opening models)



| Maximum Door Moment | Type | Number of AILERON |
|---------------------|------|-------------------|
| 4.0–6.0 | M | 1pc |
| 6.0–8.0 | H | |

Refer to the left graph as a guide for model selection. For use with doors outside of the scope of this graph, use the calculation below. Door weight includes attached decorations.

Maximum Door Moment (N · m) =
Door weight (kg) × 9.80665 × Distance from rotation centre to door centre of gravity (m)