

**Finishes**
Acabados

Anthracite grey + Yellow
Gris antracita + Amarillo

Anthracite grey + Blue turquoise
Gris antracita + Azul turquesa

Anthracite grey + Pink
Gris antracita + Rosa

Anthracite grey + Moss grey
Gris antracita + Gris musgo

Anthracite grey + Matt white
Gris antracita + Blanco mate

Anthracite grey + Matt black
Gris antracita + Negro mate

Fixation with screws
Fijación con tornillos



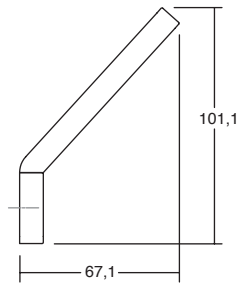
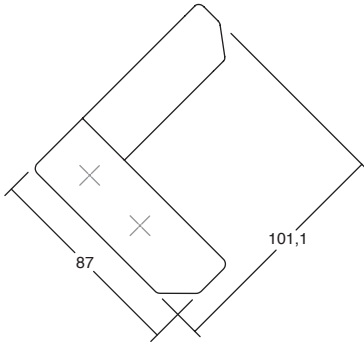
Technical info on page 43
Info técnica en pág 43

7005

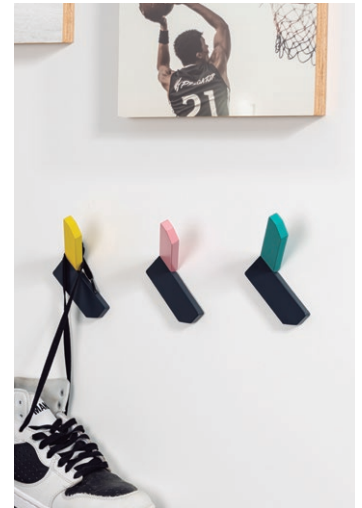
CORNER

ZAMAK

Design: Alexis Vivet



Fixation with screws
Fijación con tornillos



ZM24+ZM51	ZM24+ZM81	ZM24+ZM71	ZM24+ZM25	ZM24+ZM1	ZM24+ZM2
Anthracite grey + Yellow	Anthracite grey + Blue turquoise	Anthracite grey + Pink	Anthracite grey + Moss grey	Anthracite grey + Matt white	Anthracite grey + Matt black
Gris antracita + Amarillo	Gris antracita + Azul turquesa	Gris antracita + Rosa	Gris antracita + Gris musgo	Gris antracita + Blanco mate	Gris antracita + Negro mate
7005030ZM2451	7005030ZM2481	7005030ZM2471	7005030ZM2425	7005030ZM24M1	7005030ZM24M2 2 6