



PROSLIDE

 **argenta**
OPENING DOORS





ARLU, THE REFERENCE FOR OPENING DOORS

ARLU is the manufacturer behind the brand names argenta® and rob®. Argenta has been a leading brand in door hardware for over 100 years, but today it is mainly synonymous with invisible door systems.

Minimalist architecture swears by clean lines and a “back to the essence” mentality. In terms of interior doors, this results in integrated door fittings, invisible integrated techniques, door frames and skirting boards for revolving, sliding and pivoting doors.

Argenta stands for a full range of sleek interior solutions.

ALL TECHNICAL DRAWINGS ARE SHOWN IN MILLIMETRES AND ARE SUBJECT TO CHANGE BY ARLU.

01

PROSLIDE WOOD

- 6 proslide
- 16 construction project hardware
- 34 proslide invisible

02

PROSLIDE GLASS

- 40 proslide
- 46 proslide invisible

03

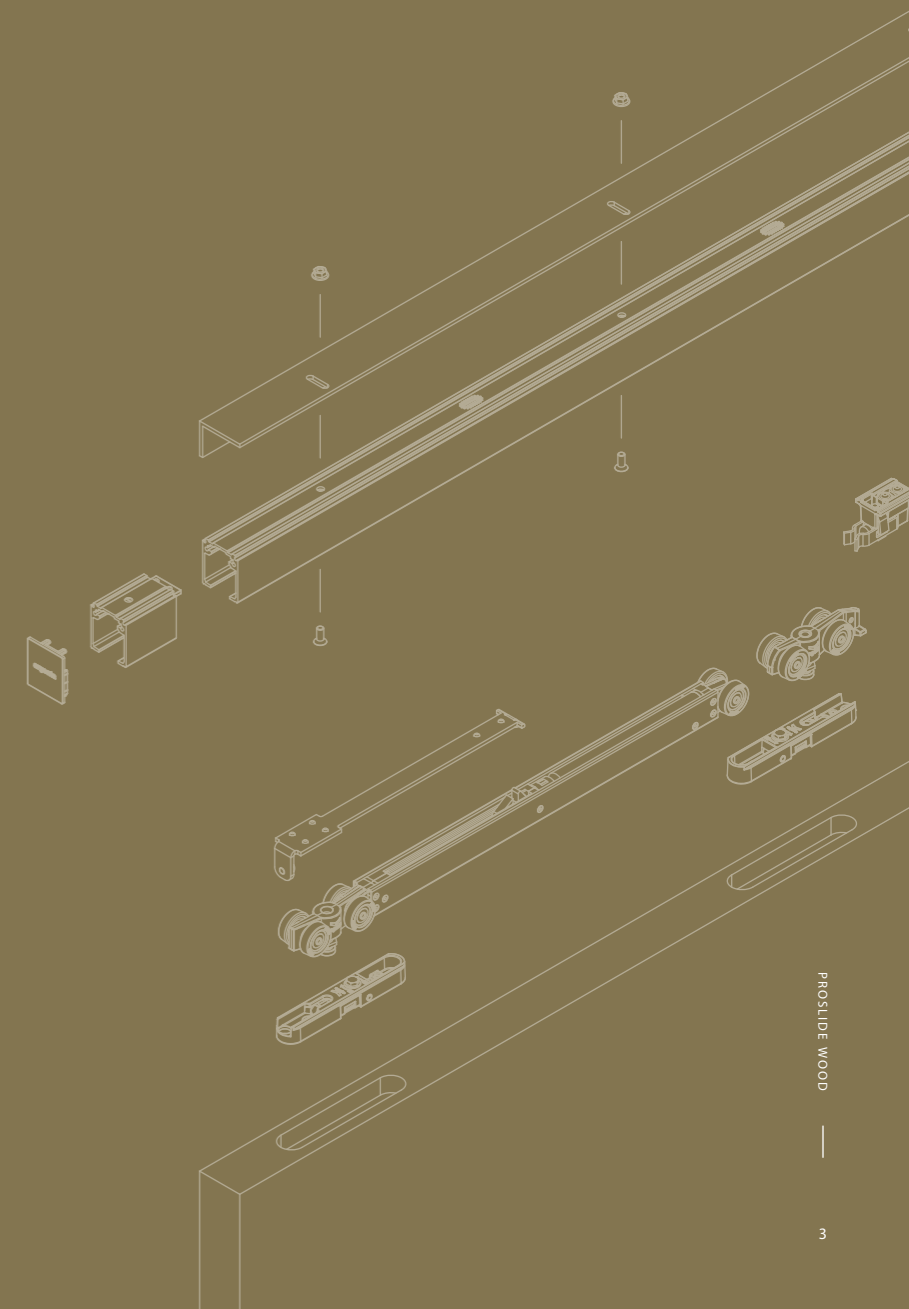
PRODUCT CONFIGURATOR

- 50 proslide wood 40 / 44 mm
- 52 proslide wood 50 / 54 mm
- 54 proslide invisible wood
- 55 proslide glass
- 56 proslide invisible glass
- 57 general info

01

PROSLIDE WOOD

ARLU offers a wide range of high-quality sliding door hardware. The two unique guiding profiles, specially developed for surface-mounted installation, on one hand, and integrated installation on the other, suitable for both residential and non-residential new-build and renovation projects. Combining a guiding rail with the necessary fittings is child's play, as the wear resistant roller systems and stoppers are universally applicable to both types of rails. With a focus on professional and intensive use during the development phase, ARLU's sliding door hardware is the ultimate choice to elevate ergonomics to a different level in offices, schools, hospitals, the care sector and anywhere else



PROSLIDE WOOD



argenta proslide wood general info

The proslide parts

Running track

- Sturdy track to prevent it is not deformed by lateral forces on the door panel
- Oval serrated & round mounting holes to prevent screws from loosening or moving
- Double chamber: separate chambers for the roller system and the fittings
- Unique roller wheel design means they always run centred along the rail

ESSI module

- Easy (dis)assembly of the Slow-Stop and other fittings without any need to remove the entire profile
- A must for wall-to-wall applications in both new-build and renovation projects
- Fixed 50 mm-long module

Roller assemblies & stoppers

STANDARD STOP

- The roller assembly clicks into place in the Standard Stop. The clamping force can be set as required.

SLOWSTOP

- When opening and/or closing, the Slow-Stop slows down the door so it gently moves towards its end point. The tiltable end ensures easy (dis)assembly in the proslide rail when using an ESSI module.

Mounting systems

STANDARD-FIX

- Easy surface-mounted installation
- Budget-friendly

MANUAL-FIX

- Invisible integrated installation

AUTO-FIX

- Invisible
- Easy time-saving installation without tools

Floor guiding system

- Easy installation
- UPVC cap for quiet movement with no slack in the door

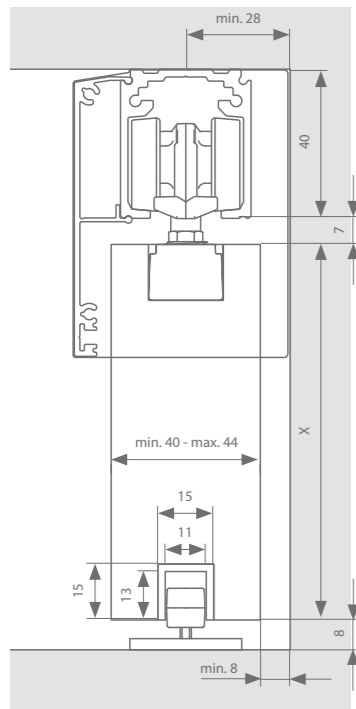


argenta
PROSLIDE

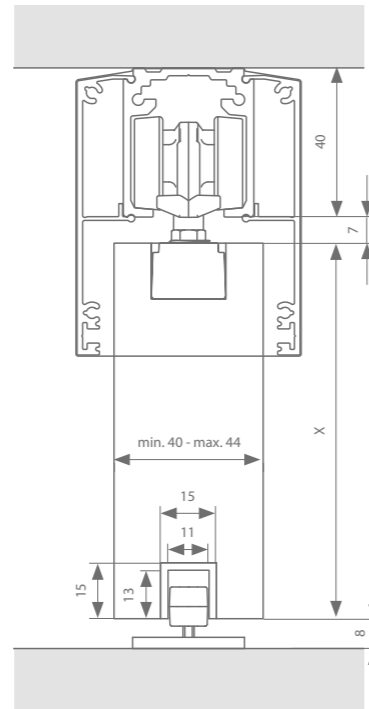
Proslide is a professional surface-mounted sliding door hardware system for both wall and ceiling applications. A wide variety of different fittings is available, all of the same impeccable quality, from wear-resistant roller assemblies to a high-quality aluminium running track.

Technical drawings

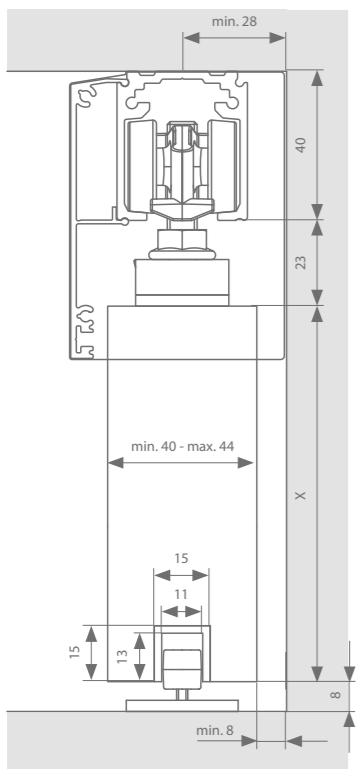
Manual- or auto-fix - Version A



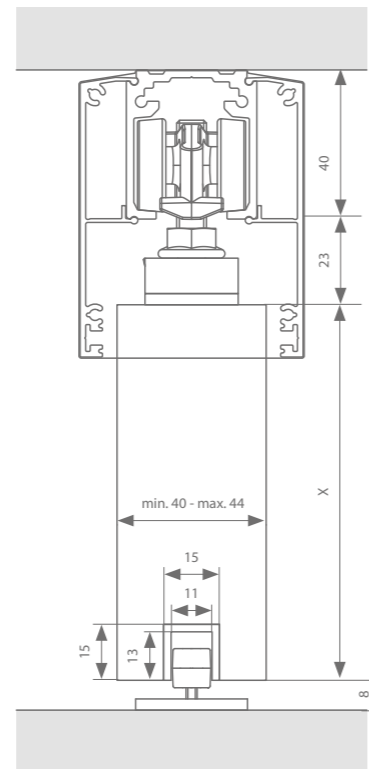
Manual- or auto-fix - Version B



Standard-fix - Version A



Standard-fix - Version B



Profiles

	Max. door width	Length	Reference F1	Reference RAL 9005
Running track	1000 mm	2000 mm	22514012	22514112
	1500 mm	3000 mm	22514013	22514113
	2000 mm	4000 mm	22514014	22514114
	3000 mm	6000 mm	22514016	22514116
Cover profile (version A)	1000 mm	2000 mm	22515112	22515212
	1500 mm	3000 mm	22515113	22515213
	2000 mm	4000 mm	22515114	22515214
	3000 mm	6000 mm	22515116	22515216
+ set of sealing pieces			22512701	22512901
Cover profile (version B)	1000 mm	2000 mm	(x 2) 22515112	(x 2) 22515212
	1500 mm	3000 mm	(x 2) 22515113	(x 2) 22515213
	2000 mm	4000 mm	(x 2) 22515114	(x 2) 22515214
	3000 mm	6000 mm	(x 2) 22515116	(x 2) 22515216
+ set of sealing pieces			22512702	22512902
Bottom guide track (option)	1000 mm	1000 mm	22516101	
	2000 mm	2000 mm	22516102	
	3000 mm	3000 mm	22516103	
	6000 mm	6000 mm	22516106	
ESSI-module (option)	1 ESSI module is recommended per Slow-Stop		22599990	22599996

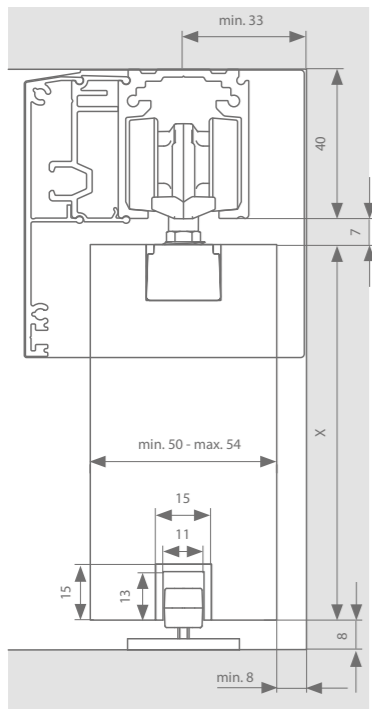
Fitting set selection

	Min. door width	Standard-stop	Slowstop	Slowstop small	Reference F1	Reference RAL 9005
Standard-fix	500 mm	x 2			22513001	
	730 mm	x 1	x 1		22512402	
	930 mm		x 2		22513002	
Manual-fix	550 mm	x 2			22513003	
	730 mm	x 1	x 1		22512403	22512413
	930 mm		x 2		22513004	22513014
	880 mm			x 1	22199812	
Auto-fix	550 mm	x 2			22513005	
	730 mm	x 1	x 1		22512404	22512414
	930 mm		x 2		22513006	22513016
	880 mm			x 1	22199813	
Side-fix	880 mm			x 1	22199814	

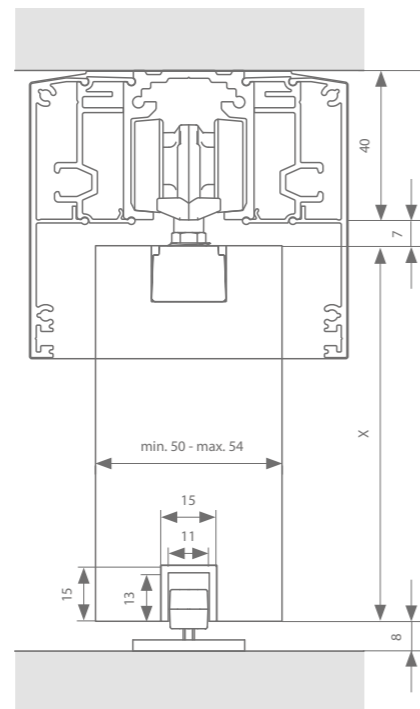
See p. 57-58 for all parts.

Technical drawings

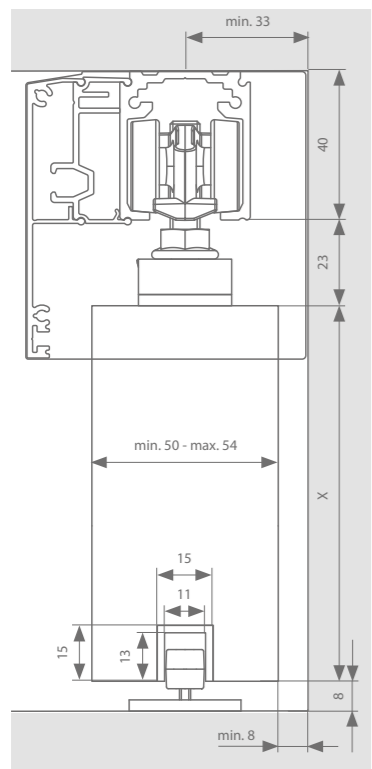
Manual- or auto-fix - Version A



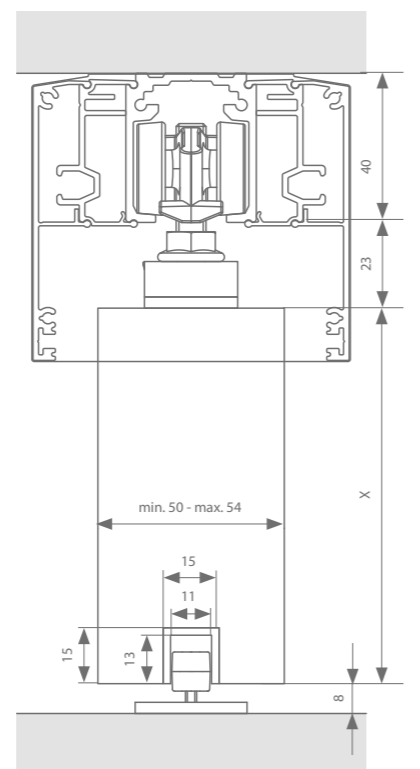
Manual- or auto-fix - Version B



Standard-fix - Version A



Standard-fix - Version B



Profiles

	Max. door width	Length	Reference F1	Reference RAL 9005
Running track	1000 mm	2000 mm	22514012	22514112
	1500 mm	3000 mm	22514013	22514113
	2000 mm	4000 mm	22514014	22514114
	3000 mm	6000 mm	22514016	22514116
Packing: bracket (50 mm)	Required every 300 mm		22099983	
	1000 mm	2000 mm	22519112	
Packing: profile	1500 mm	3000 mm	22519113	
	2000 mm	4000 mm	22519114	
	3000 mm	6000 mm	22519116	
Cover profile (version A)	1000 mm	2000 mm	22515112	22515212
	1500 mm	3000 mm	22515113	22515213
	2000 mm	4000 mm	22515114	22515214
	3000 mm	6000 mm	22515116	22515216
+ set of sealing pieces			22512703	22512903
Cover profile (version B)	1000 mm	2000 mm	(x 2) 22515112	(x 2) 22520212
	1500 mm	3000 mm	(x 2) 22515113	(x 2) 22520213
	2000 mm	4000 mm	(x 2) 22515114	(x 2) 22520214
	3000 mm	6000 mm	(x 2) 22515116	(x 2) 22520216
+ set of sealing pieces			22512704	22512904
Bottom guide track (option)	1000 mm	1000 mm	22516101	
	2000 mm	2000 mm	22516102	
	3000 mm	3000 mm	22516103	
	6000 mm	6000 mm	22516106	
ESSI-module (option)	1 ESSI module is recommended per Slow-Stop		22599990	22599996
		50 mm		

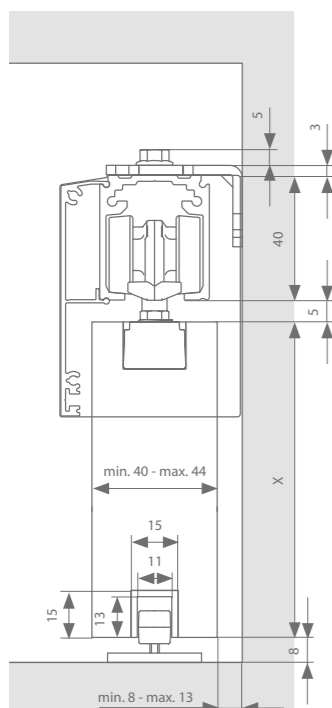
Fitting set selection

	Min. door width	Standard-stop	Slowstop	Slowstop small	Reference F1	Reference RAL 9005
Standard-fix	500 mm	x 2			22513001	
	730 mm	x 1	x 1		22512402	
	930 mm		x 2		22513002	
Manual-fix	550 mm	x 2			22513003	
	730 mm	x 1	x 1		22512403	22512413
	930 mm		x 2		22513004	22513014
	880 mm			x 1	22199812	
Auto-fix	550 mm	x 2			22513005	
	730 mm	x 1	x 1		22512404	22512414
	930 mm		x 2		22513006	22513016
	880 mm			x 1	22199813	
Side-fix	880 mm			x 1	22199814	

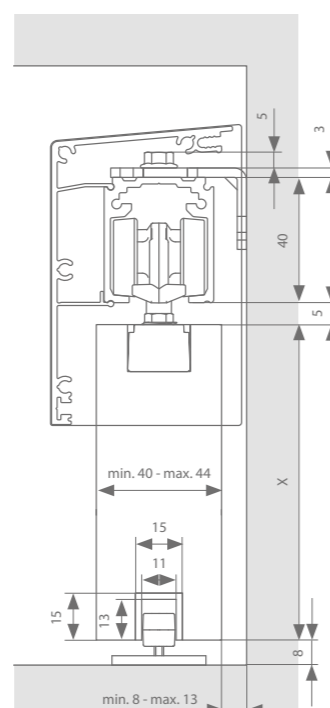
See p. 57-58 for all parts.

Technical drawings

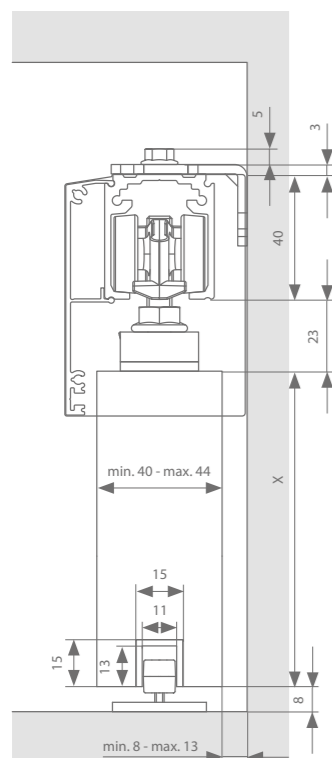
Manual- or auto-fix - Version A



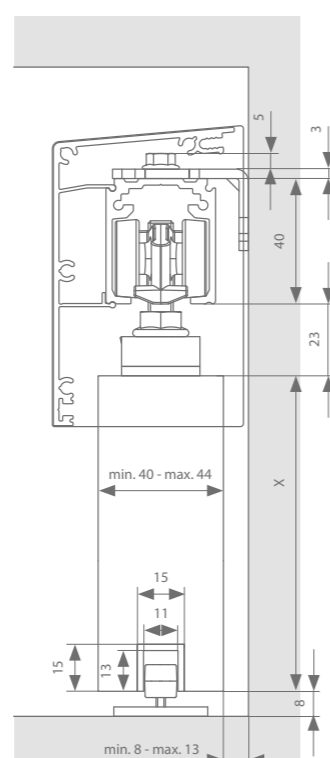
Manual- or auto-fix - Version B



Standard-fix - Version A



Standard-fix - Version B



Profiles

	Max. door width	Length	Reference F1	Reference RAL 9005
Running track	1000 mm	2000 mm	22514012	22514112
	1500 mm	3000 mm	22514013	22514113
	2000 mm	4000 mm	22514014	22514114
	3000 mm	6000 mm	22514016	22514116
Wall mounting: bracket (x1) + bolts and nuts			22512101	22512101
OR bolts and nuts (x 20)			22512103	22512103
+ Wall mounting: profile	1000 mm	2000 mm	22512004	22512012
	1500 mm	3000 mm	22512001	22512013
	2000 mm	4000 mm	22512002	22512014
	3000 mm	6000 mm	22512003	22512016
Cover profile (version A)	1000 mm	2000 mm	22515112	22515212
	1500 mm	3000 mm	22515113	22515213
	2000 mm	4000 mm	22515114	22515214
	3000 mm	6000 mm	22515116	22515216
+ set of sealing pieces			22512701	22512901
Cover profile (version B)	1000 mm	2000 mm	22520112	22520212
	1500 mm	3000 mm	22520113	22520213
	2000 mm	4000 mm	22520114	22520214
	3000 mm	6000 mm	22520116	22520216
+ set of sealing pieces			22512711	22512813
Bottom guide track (option)	1000 mm	1000 mm	22516101	22516101
	2000 mm	2000 mm	22516102	22516102
	3000 mm	3000 mm	22516103	22516103
	6000 mm	6000 mm	22516106	22516106
ESSI-module (option)	1 x per Slow-Stop	50 mm	22599990	22599996

Fitting set selection

	Min. door width	Standard-stop	Slowstop	Slowstop small	Reference F1	Reference RAL 9005
Standard-fix	500 mm	x 2			22513001	
	730 mm	x 1	x 1		22512402	
	930 mm		x 2		22513002	
Manual-fix	550 mm	x 2			22513003	
	730 mm	x 1	x 1		22512403	22512413
	930 mm		x 2		22513004	22513014
	880 mm			x 1	22199812	
Auto-fix	550 mm	x 2			22513005	
	730 mm	x 1	x 1		22512404	22512414
	930 mm		x 2		22513006	22513016
	880 mm			x 1	22199813	
Side-fix	880 mm			x 1	22199814	

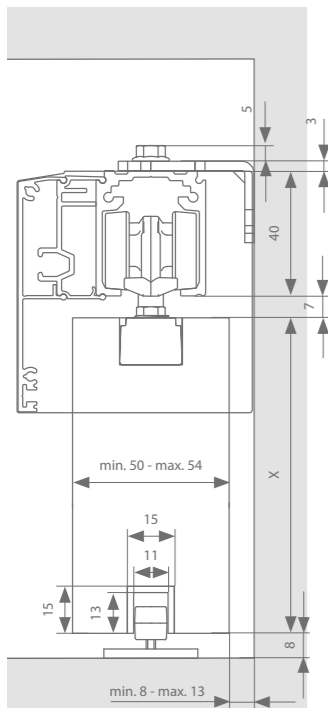
Sets

	Max. door width	Profile Length	Fitting setkeuze	Reference
Full black 2M (no cover profile)	1000 mm	2000 mm	auto-fix, standard stop & slowstop	22615220
Full black 3M (no cover profile)	1500 mm	3000 mm	auto-fix, standard stop & slowstop	22615221
F1 2M (no cover profile)	1000 mm	2000 mm	auto-fix, standard stop & slowstop	22615222
F1 3M (no cover profile)	1500 mm	3000 mm	auto-fix, standard stop & slowstop	22615223
Full black 4M (no cover profile)	2000 mm	4000 mm	auto-fix, standard stop & slowstop	22615224
F1 4M (no cover profile)	2000 mm	4000 mm	auto-fix, standard stop & slowstop	22615225

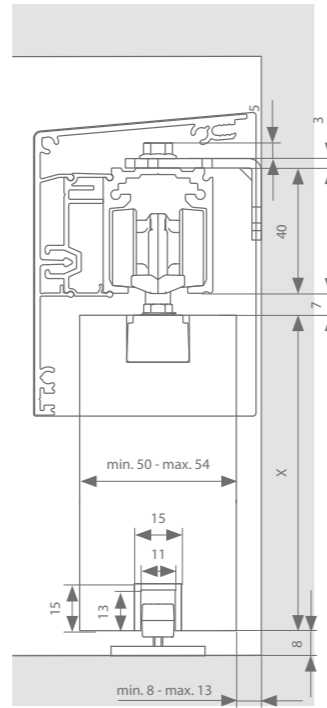
See p. 57-58 for all parts.

Technical drawings

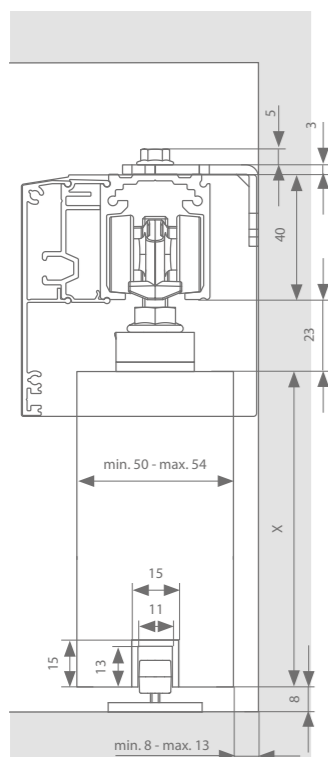
Manual- or auto-fix - Version A



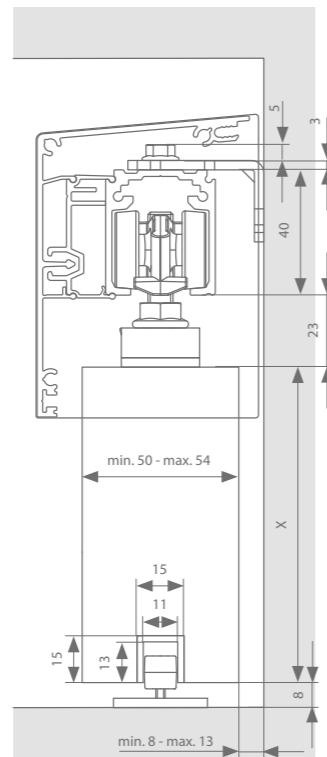
Manual- or auto-fix - Version B



Standard-fix - Version A



Standard-fix - Version B



Profiles

	Max. door width	Length	Reference F1	Reference RAL 9005
Running track	1000 mm	2000 mm	22514012	22514112
	1500 mm	3000 mm	22514013	22514113
	2000 mm	4000 mm	22514014	22514114
	3000 mm	6000 mm	22514016	22514116
Packing: bracket (50 mm)	Required every 300 mm		22099983	22099983
Packing: profile	1000 mm	2000 mm	22519112	22519112
	1500 mm	3000 mm	22519113	22519113
	2000 mm	4000 mm	22519114	22519114
	3000 mm	6000 mm	22519116	22519116
Wall mounting: bracket (x 20)			22512101	22512101
+ Bolt and nut (x 20)			22512103	22512103
Cover profile (version A)	1000 mm	2000 mm	22515112	22515212
	1500 mm	3000 mm	22515113	22515213
	2000 mm	4000 mm	22515114	22515214
	3000 mm	6000 mm	22515116	22515216
+ set of sealing pieces			22512703	22512903
Cover profile (version B)	1000 mm	2000 mm	22520112	22520112
	1500 mm	3000 mm	22520113	22520113
	2000 mm	4000 mm	22520114	22520114
	3000 mm	6000 mm	22520116	22520116
+ set of sealing pieces			22512712	22512911
Bottom guide track (option)	1000 mm	1000 mm	22516101	22516101
	2000 mm	2000 mm	22516102	22516102
	3000 mm	3000 mm	22516103	22516103
	6000 mm	6000 mm	22516106	22516106
ESSI-module (option)	1 ESSI module is recommended per Slow-Stop		22599990	22599996

Fitting set selection

	Min. door width	Standard-stop	Slowstop	Slowstop small	Reference F1	Reference RAL 9005
Standard-fix	500 mm	x 2			22513001	
	730 mm	x 1	x 1		22512402	
	930 mm		x 2		22513002	
Manual-fix	550 mm	x 2			22513003	
	730 mm	x 1	x 1		22512403	22512413
	930 mm		x 2		22513004	22513014
	880 mm			x 1	22199812	
Auto-fix	550 mm	x 2			22513005	
	730 mm	x 1	x 1		22512404	22512414
	930 mm		x 2		22513006	22513016
	880 mm			x 1	22199813	
Side-fix	880 mm			x 1	22199814	

See p. 57-58 for all parts.



argenta
**HARDWARE FOR
CONSTRUCTION PROJECTS**

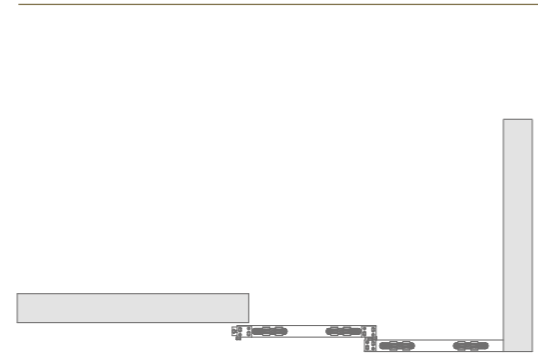
Argenta® proslide is much more versatile than it appears at first sight. Dynamic connections between multiple doors allow for a wide range of creative sliding door options. For example, proslide for single sliding doors can be expanded to create various applications such as telescopic doors, symmetrical doors, simultaneous doors, parallel doors, telescopic symmetrical doors and much more.

Technical drawings

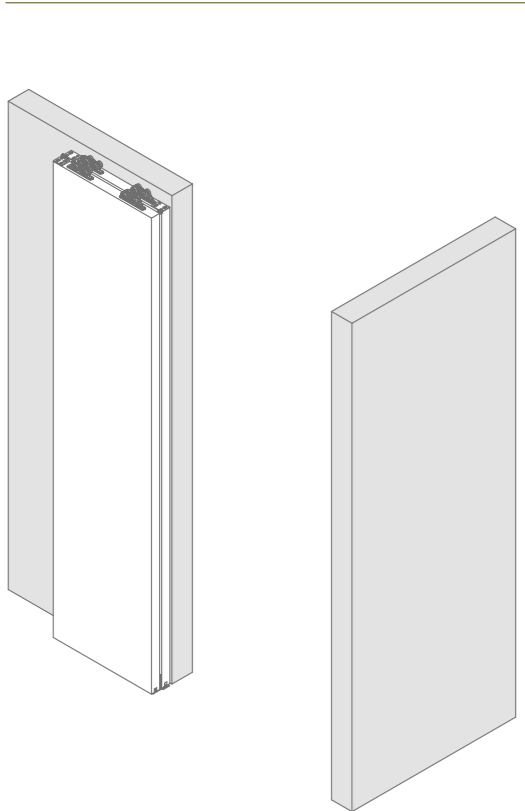
top view, open



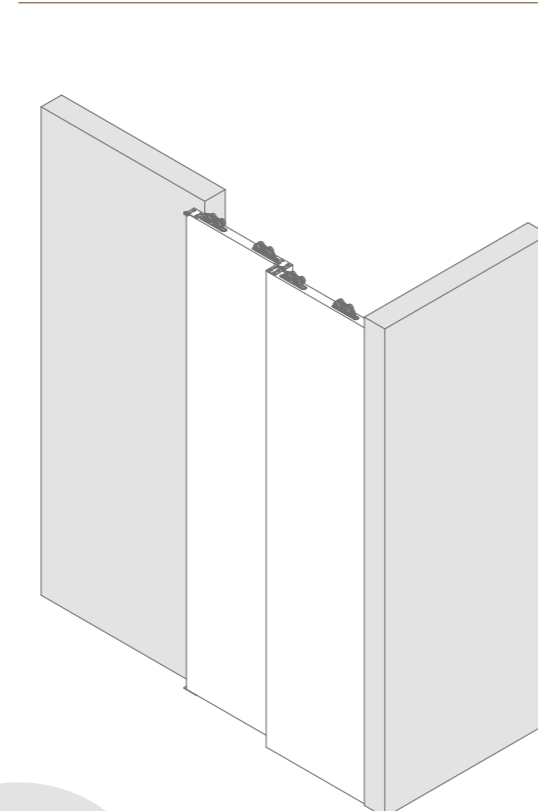
top view, closed



side view, open



side view, closed



Use this setup to close wide door openings. The opening is closed in two sections via carriers on the door leaves.

Necessities

	Max. door width	Length	Reference F1	Reference RAL 9005
Running track	667 mm	2000 mm	(2 x) 22514012	(2 x) 22514112
	1000 mm	3000 mm	(2 x) 22514013	(2 x) 22514113
	1334 mm	4000 mm	(2 x) 22514014	(2 x) 22514114
	1500 mm	6000 mm	(2 x) 22514016	(2 x) 22514116
Parallel 2D-set			22010210	22010210

	Min. door width	Standard-stop	Slowstop	Slowstop small	Reference F1	Reference Black
Standard-fix	500 mm	x 2			(2 x) 22513001	
	730 mm	x 1	x 1		(2 x) 22512402	
	930 mm		x 2		(2 x) 22513002	
Manual-fix	550 mm	x 2			(2 x) 22513003	
	730 mm	x 1	x 1		(2 x) 22512403	(2 x) 22512413
	930 mm		x 2		(2 x) 22513004	(2 x) 22513014
	880 mm			x 1	(2 x) 22199812	
Auto-fix	550 mm	x 2			(2 x) 22513005	
	730 mm	x 1	x 1		(2 x) 22512404	(2 x) 22512414
	930 mm		x 2		(2 x) 22513006	(2 x) 22513016
	880 mm			x 1	(2 x) 22199813	
Side-fix	880 mm			x 1	(2 x) 22199814	

Options

	Max. door width	Length	Reference F1	Reference RAL 9005
Bottom guide track	1000 mm	1000 mm	(2 x) 22516101	
	2000 mm	2000 mm	(2 x) 22516102	
	3000 mm	3000 mm	(2 x) 22516103	
	6000 mm	6000 mm	(2 x) 22516106	
Integrated door profile	1000 mm	1000 mm	(2 x) 22516201	
	2000 mm	2000 mm	(2 x) 22516202	
	6000 mm	6000 mm	(2 x) 22516206	
+ set of sealing pieces, black			(2 x) 22599993	
+ set of sealing pieces, white			(2 x) 22599994	
+ set of sealing pieces, grey			(2 x) 22599995	
ESSI-module		50 mm	(2 x) 22599990	(2 x) 22599996
Cover profile	667 mm	2000 mm	22515112	
	1000 mm	3000 mm	22515113	
	1334 mm	4000 mm	22515114	
	1500 mm	6000 mm	22515116	

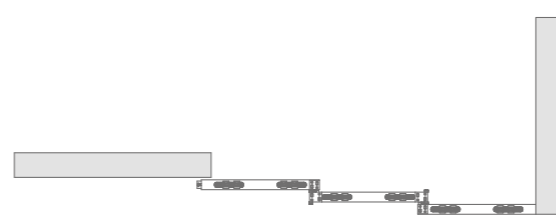
See p. 57-58 for all parts.

Technical drawings

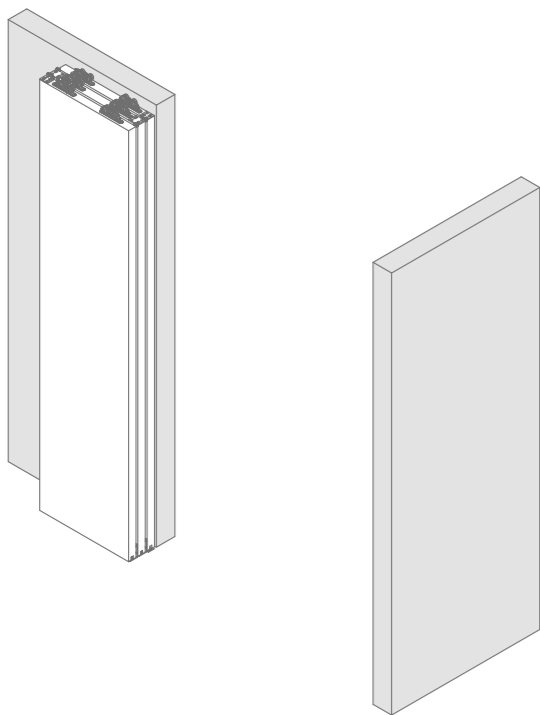
top view, open



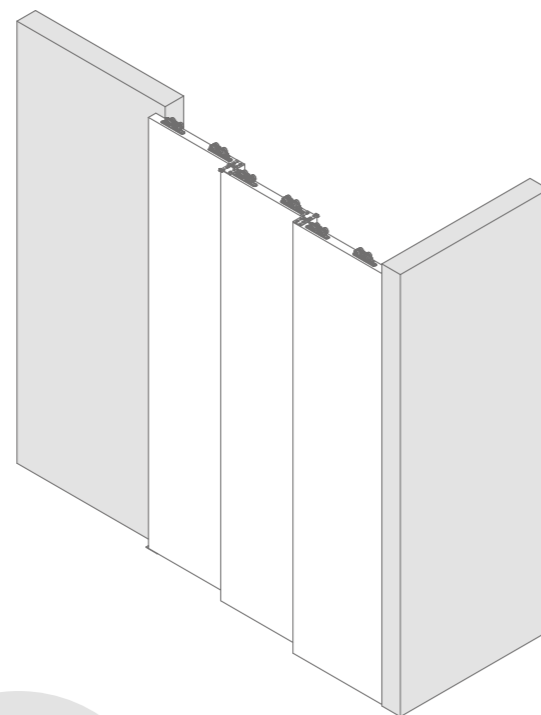
top view, closed



side view, open



side view, closed



Use this setup to close wide door openings. The opening is closed in three sections via carriers on the door leaves.

Necessities

	Max. door width	Length	Reference F1	Reference RAL 9005
Running track	500 mm	2000 mm	(3 x) 22514012	(3 x) 22514112
	750 mm	3000 mm	(3 x) 22514013	(3 x) 22514113
	1000 mm	4000 mm	(3 x) 22514014	(3 x) 22514114
	1500 mm	6000 mm	(3 x) 22514016	(3 x) 22514116
Parallel 2D-set			22010211	22010211

	Min. door width	Standard-stop	Slowstop	Slowstop small	Reference F1	Reference Black
Standard-fix	500 mm	x 2			(3 x) 22513001	
	730 mm	x 1	x 1		(3 x) 22512402	
	930 mm		x 2		(3 x) 22513002	
Manual-fix	550 mm	x 2			(3 x) 22513003	
	730 mm	x 1	x 1		(3 x) 22512403	(3 x) 22512413
	930 mm		x 2		(3 x) 22513004	(3 x) 22513014
	880 mm			x 1	(3 x) 22199812	
Auto-fix	550 mm	x 2			(3 x) 22513005	
	730 mm	x 1	x 1		(3 x) 22512404	(3 x) 22512414
	930 mm		x 2		(3 x) 22513006	(3 x) 22513016
	880 mm			x 1	(3 x) 22199813	
Side-fix	880 mm			x 1	(3 x) 22199814	

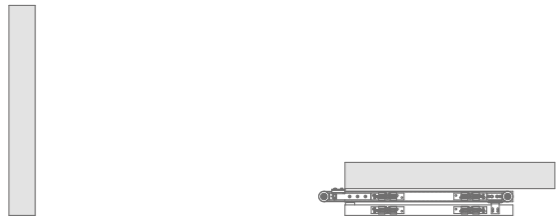
Options

	Max. door width	Length	Reference F1	Reference Black
Bottom guide track	1000 mm	1000 mm	(3 x) 22516101	
	2000 mm	2000 mm	(3 x) 22516102	
	3000 mm	3000 mm	(3 x) 22516103	
	6000 mm	6000 mm	(3 x) 22516106	
Integrated door profile	1000 mm	1000 mm	(3 x) 22516201	
	2000 mm	2000 mm	(3 x) 22516202	
	6000 mm	6000 mm	(3 x) 22516206	
+ set of sealing pieces, black			(3 x) 22599993	
+ set of sealing pieces, white			(3 x) 22599994	
+ set of sealing pieces, grey			(3 x) 22599995	
ESSI-module		50 mm	(3 x) 22599990	(2 x) 22599996
Cover profile	1000 mm	2000 mm	22515112	
	1500 mm	3000 mm	22515113	
	2000 mm	4000 mm	22515114	
	3000 mm	6000 mm	22515116	

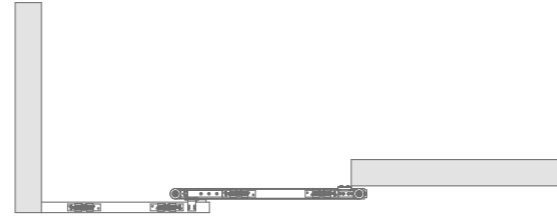
See p. 57-58 for all parts.

Technical drawings

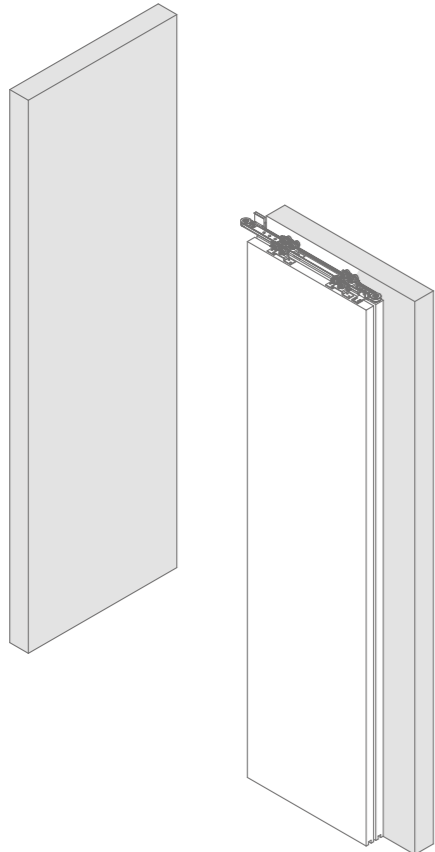
top view, open



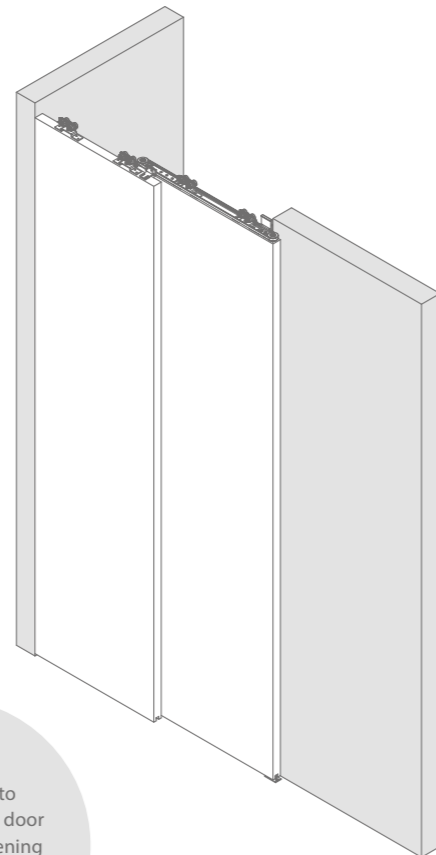
top view, closed



side view, open



side view, closed



Use this setup to quietly close wide door openings. The opening is closed in two sections, using a belt.

Necessities

	Max. door width	Length	Reference F1	Reference RAL 9005
Running track	667 mm	2000 mm	(2 x) 22514012	(2 x) 22514112
	1000 mm	3000 mm	(2 x) 22514013	(2 x) 22514113
	1334 mm	4000 mm	(2 x) 22514014	(2 x) 22514114
	1500 mm	6000 mm	(2 x) 22514016	(2 x) 22514116
Telescopic 2D-set (only with standard-fix, incl.)			22099974	22099974
Toothed belt		5000 mm	22099977	22099977
		10 000 mm	22099978	22099978
		20 000 mm	22099979	22099979
		50 000 mm	22099980	22099980

Belt length calculation

For a two-door telescopic proslide setup, one belt length is required:

$$\text{Belt length} = (2 \times \text{door width}) + 235 \text{ mm}$$

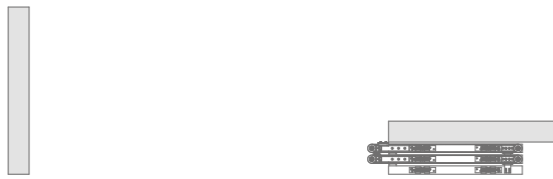
Options

	Max. door width	Length	Reference
Door thickness profile for back cover	667 mm	2000 mm	22519112
	1000 mm	3000 mm	22519113
	1334 mm	4000 mm	22519114
	1500 mm	6000 mm	22519116
Cover profile	667 mm	2000 mm	22518112
	1000 mm	3000 mm	22518113
	1334 mm	4000 mm	22518114
	1500 mm	6000 mm	22518116
Bottom guide track	1000 mm	1000 mm	(2 x) 22516101
	2000 mm	2000 mm	(2 x) 22516102
	3000 mm	3000 mm	(2 x) 22516103
	6000 mm	6000 mm	(2 x) 22516106
ESSI-module		50 mm	(2 x) 22599990

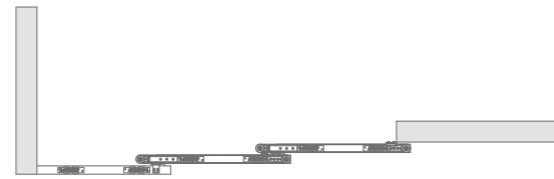
See p. 57-58 for all parts.

Technical drawings

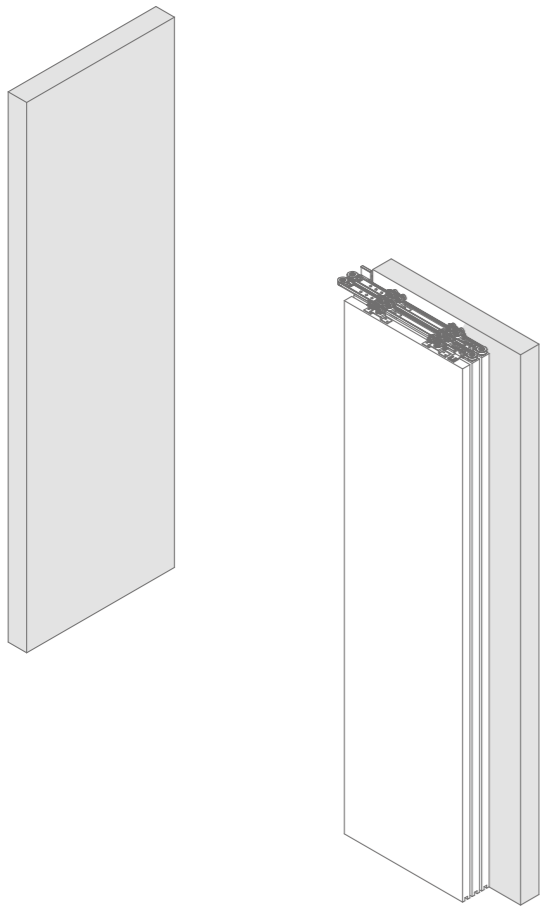
top view, open



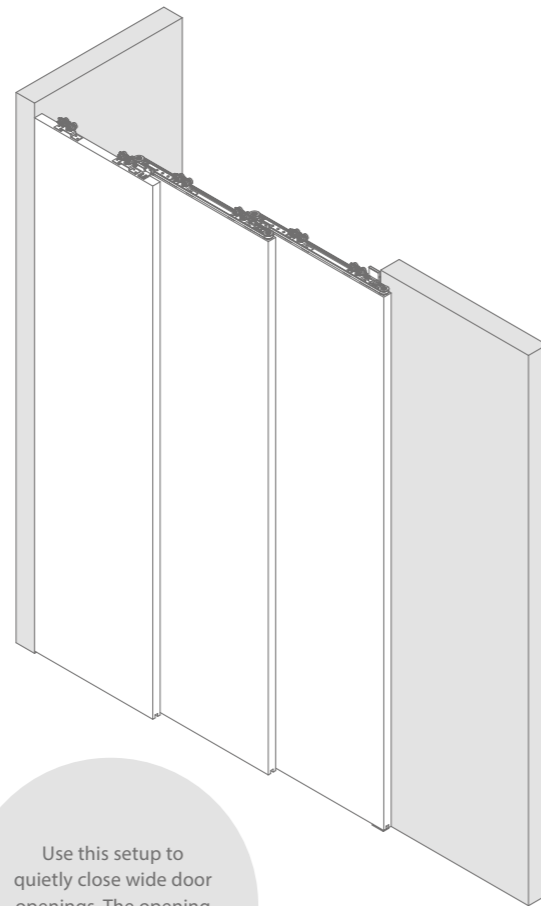
top view, closed



side view, open



side view, closed



Use this setup to quietly close wide door openings. The opening is closed in three sections, using a belt.

Necessities

	Max. door width	Length	Reference F1	Reference RAL 9005
Running track	667 mm	2000 mm	(3 x) 22514012	(3 x) 22514112
	1000 mm	3000 mm	(3 x) 22514013	(3 x) 22514113
	1334 mm	4000 mm	(3 x) 22514014	(3 x) 22514114
	1500 mm	6000 mm	(3 x) 22514016	(3 x) 22514116
Telescopic 3D-set			22099975	22099975
Toothed belt		5000 mm	22099977	22099977
		10 000 mm	22099978	22099978
		20 000 mm	22099979	22099979
		50 000 mm	22099980	22099980

Belt length calculation

For a three-door telescopic proslide setup, two equal belt lengths are required:

$$\text{Belt length} = (2 \times \text{door width}) + 235 \text{ mm}$$

Options

	Max. door width	Length	Reference
Door thickness profile for back cover	667 mm	2000 mm	22519112
	1000 mm	3000 mm	22519113
	1334 mm	4000 mm	22519114
	1500 mm	6000 mm	22519116
Cover profile	667 mm	2000 mm	22518112
	1000 mm	3000 mm	22518113
	1334 mm	4000 mm	22518114
	1500 mm	6000 mm	22518116
Bottom guide track	1000 mm	1000 mm	(3 x) 22516101
	2000 mm	2000 mm	(3 x) 22516102
	3000 mm	3000 mm	(3 x) 22516103
	6000 mm	6000 mm	(3 x) 22516106
ESSI-module		50 mm	(3 x) 22599990

See p. 57-58 for all parts.

Technical drawings

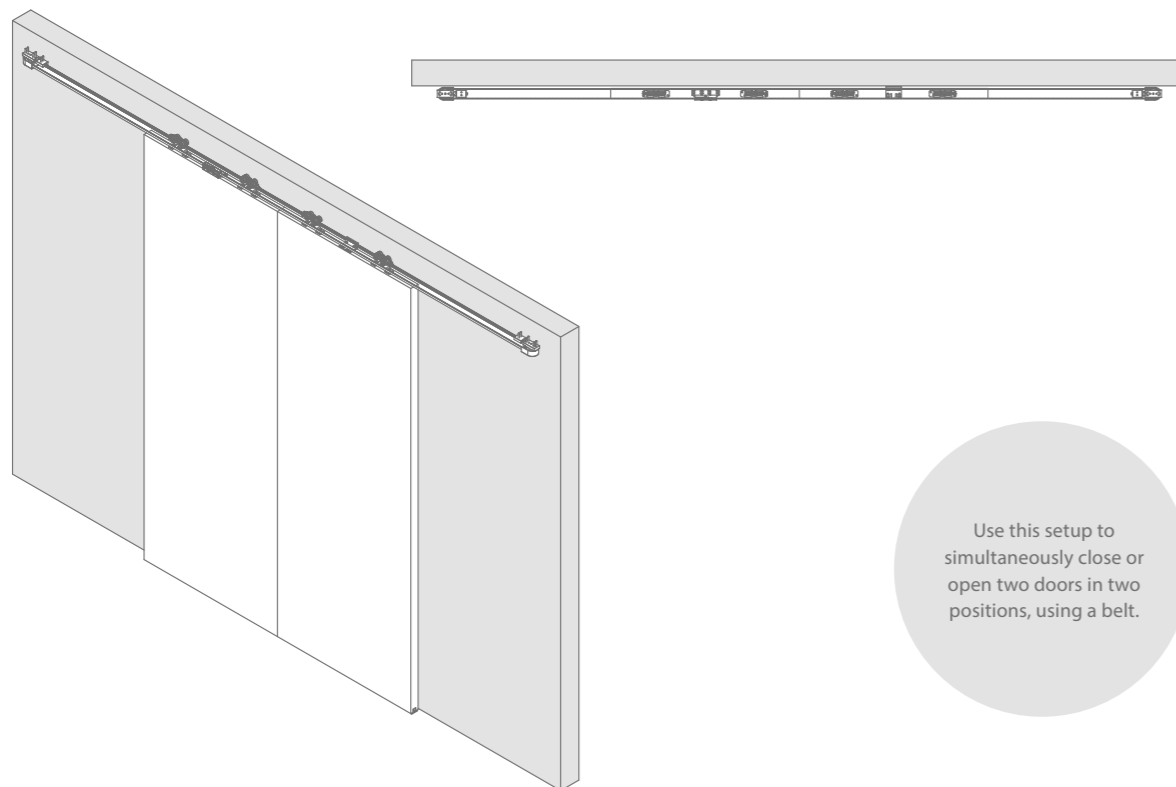
side view, open

top view, open



side view, closed

top view, closed



Use this setup to simultaneously close or open two doors in two positions, using a belt.

Necessities

	Max. door width	Length	Reference F1	Reference RAL 9005
Running track	500 mm	2000 mm	22514012	22514112
	750 mm	3000 mm	22514013	22514113
	1000 mm	4000 mm	22514014	22514114
	1250 mm	6000 mm	22514016	22514116
Symmetrical 2D-set (only with standard-fix, incl.)			22099973	22099973
Toothed belt		5000 mm	22099977	22099977
		10 000 mm	22099978	22099978
		20 000 mm	22099979	22099979
		50 000 mm	22099980	22099980

Belt length calculation

For a two-door symmetrical proslide setup, one belt length is required:
 Belt length = ((4 x door width A) + (4 x door width B)) - 210 mm

Options

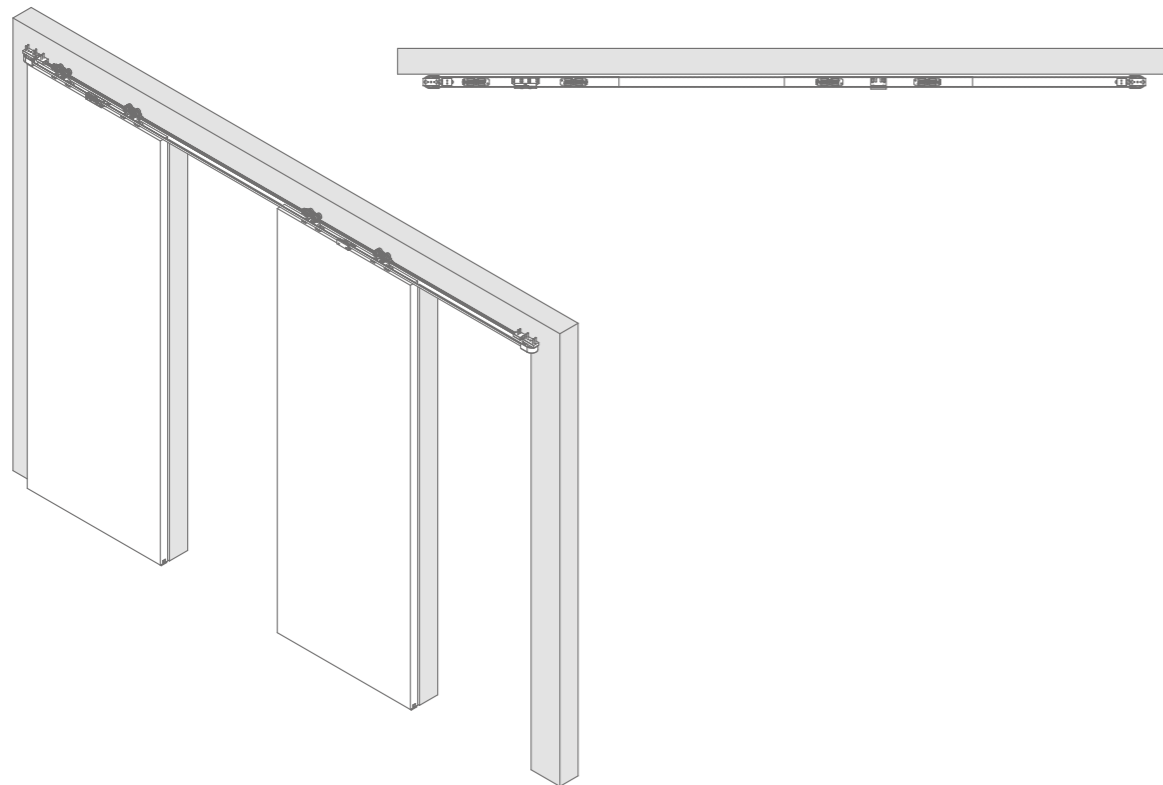
	Max. door width	Length	Reference
Door thickness profile for back cover	500 mm	2000 mm	22519112
	750 mm	3000 mm	22519113
	1000 mm	4000 mm	22519114
	1250 mm	6000 mm	22519116
Cover profile	500 mm	2000 mm	22518112
	750 mm	3000 mm	22518113
	1000 mm	4000 mm	22518114
	1250 mm	6000 mm	22518116
Bottom guide track	1000 mm	1000 mm	(2 x) 22516101
	2000 mm	2000 mm	(2 x) 22516102
	3000 mm	3000 mm	(2 x) 22516103
	6000 mm	6000 mm	(2 x) 22516106
ESSI-module		50 mm	(2 x) 22599990

See p. 57-58 for all parts.

Technical drawings

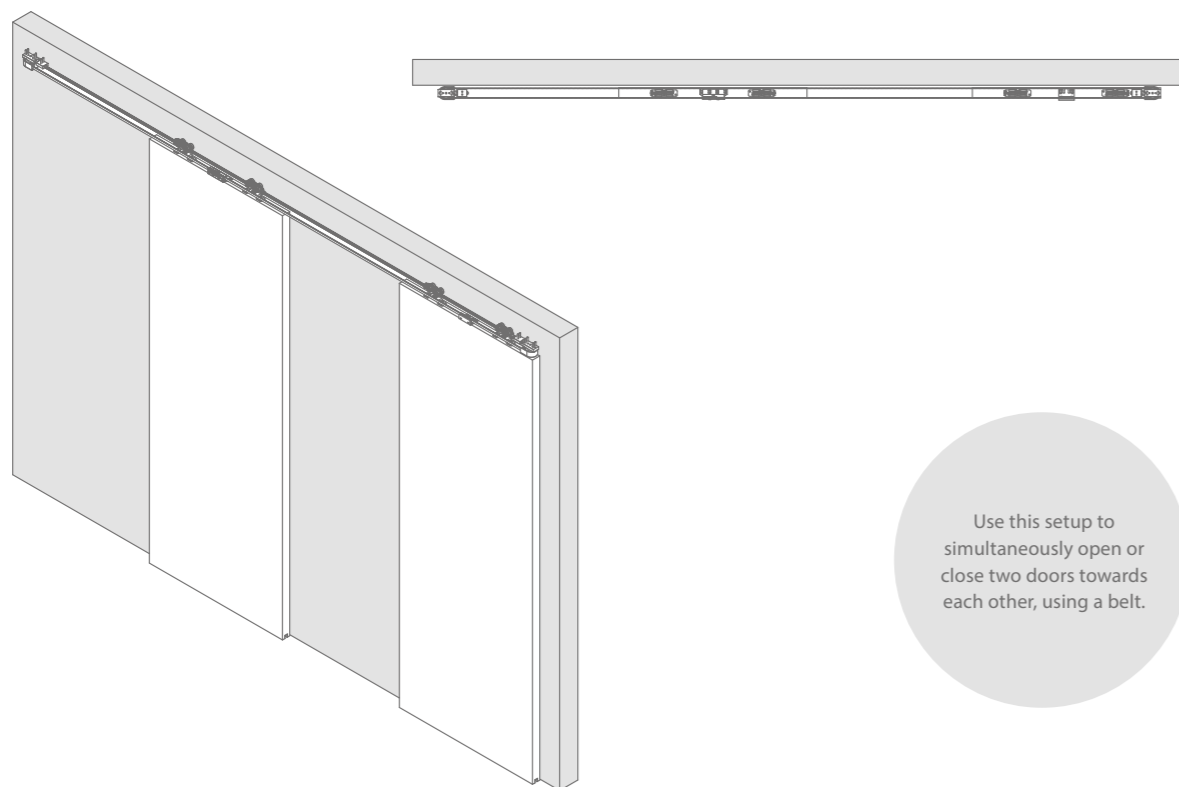
side view, open

top view, open



side view, closed

top view, closed



Use this setup to simultaneously open or close two doors towards each other, using a belt.

Necessities

	Max. door width	Length	Reference
Running track	500 mm	2000 mm	22514012
	750 mm	3000 mm	22514013
	1000 mm	4000 mm	22514014
	1250 mm	6000 mm	22514016
Wall mounting: bracket +	20 pieces		22512101
Bolt and nut	20 pieces		22512103
Wall mounting: profile	500 mm	2000 mm	22512004
	750 mm	3000 mm	22512001
	1000 mm	4000 mm	22512002
	1250 mm	6000 mm	22512003
Symmetrical / simultaneous 2D-set			22099973
Toothed belt		5000 mm	22099977
		10 000 mm	22099978
		20 000 mm	22099979
		50 000 mm	22099980

Belt length calculation

For a two-door symmetrical proslide setup, one belt length is required:
 Belt length = ((4 x door width A) + (4 x door width B)) - 210 mm

Options

	Max. door width	Length	Reference
Door thickness profile for back cover	500 mm	2000 mm	22519112
	750 mm	3000 mm	22519113
	1000 mm	4000 mm	22519114
	1250 mm	6000 mm	22519116
Cover profile	500 mm	2000 mm	22520112
	750 mm	3000 mm	22520113
	1000 mm	4000 mm	22520114
	1250 mm	6000 mm	22520116
+ set of sealing pieces			22512712
Bottom guide track	1000 mm	1000 mm	(2 x) 22516101
	2000 mm	2000 mm	(2 x) 22516102
	3000 mm	3000 mm	(2 x) 22516103
	6000 mm	6000 mm	(2 x) 22516106
ESSI-module		50 mm	(2 x) 22599990

See p. 57-58 for all parts.

Technical drawings

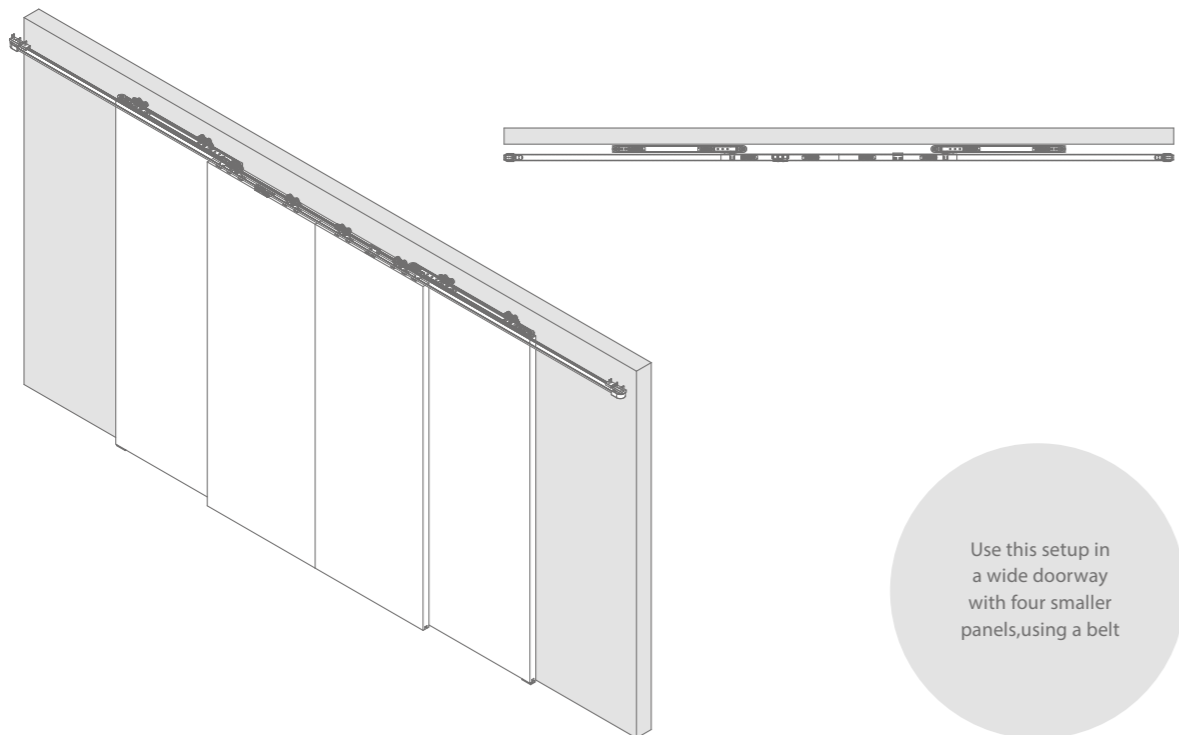
side view, open

top view, open



side view, closed

top view, closed



Use this setup in a wide doorway with four smaller panels, using a belt

Necessities

	Max. door width	Length	Reference F1	Reference RAL 9005
Running track	334 mm	2000 mm	22514012	22514112
	500 mm	3000 mm	22514013	22514113
	667 mm	4000 mm	22514014	22514114
	1000 mm	6000 mm	22514016	22514116
Telescopic / Symmetrical 4D-set			22099976	22099976
Getande riem		5000 mm	22099977	22099977
		10 000 mm	22099978	22099978
		20 000 mm	22099979	22099979
		50 000 mm	22099980	22099980

Belt length calculation

For a four-door telescopic/symmetrical proslide setup, three belt lengths are required.

Left telescopic belt length = (2 x left door width) + 235 mm

Right telescopic belt length = (2 x right door width)

Symmetrical belt length = (6 x left door width + 6 x right door width B) - 370 mm

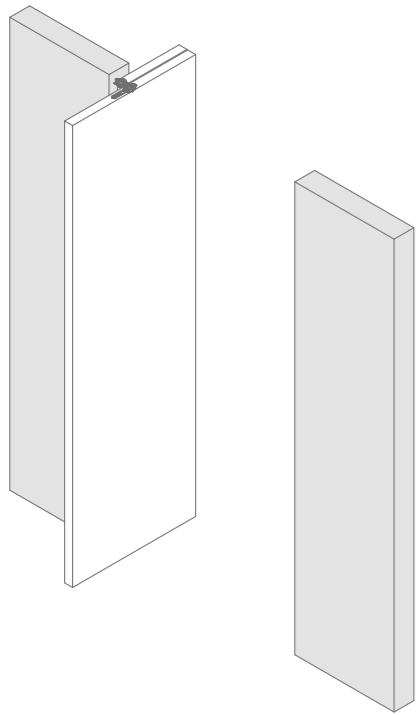
Options

	Max. door width	Length	Reference
Door thickness profile for back cover	500 mm	2000 mm	22519112
	750 mm	3000 mm	22519113
	1000 mm	4000 mm	22519114
	1250 mm	6000 mm	22519116
Cover profile	500 mm	2000 mm	22518112
	750 mm	3000 mm	22518113
	1000 mm	4000 mm	22518114
	1250 mm	6000 mm	22518116
Bottom guide track	1000 mm	1000 mm	(4 x) 22516101
	2000 mm	2000 mm	(4 x) 22516102
	3000 mm	3000 mm	(4 x) 22516103
	6000 mm	6000 mm	(4 x) 22516106
ESSI-module		50 mm	(2 x) 22599990

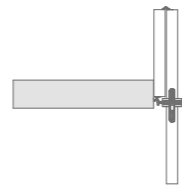
See p. 57-58 for all parts.

Technical drawings

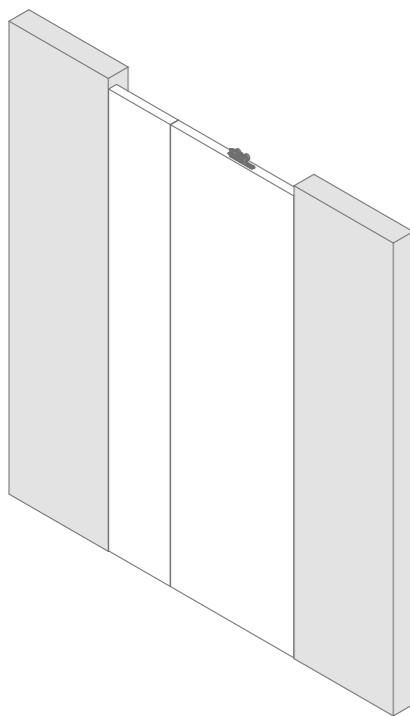
top view, open



top view, closed



side view, open



side view, closed



Necessities

	Max. door width	Length	Reference F1	Reference RAL 9005
Running track	1000 mm	2000 mm	22514012	22514112
	1500 mm	3000 mm	22514013	22514113
	2000 mm	4000 mm	22514014	22514114
	3000 mm	6000 mm	22514016	22514116
Swing-fold door 2D-set			22099982	22099982

Options

	Max. door width	Length	Reference F1	Reference RAL 9005
ESSI-module		50 mm	22599990	22599996

See p. 57-58 for all parts.



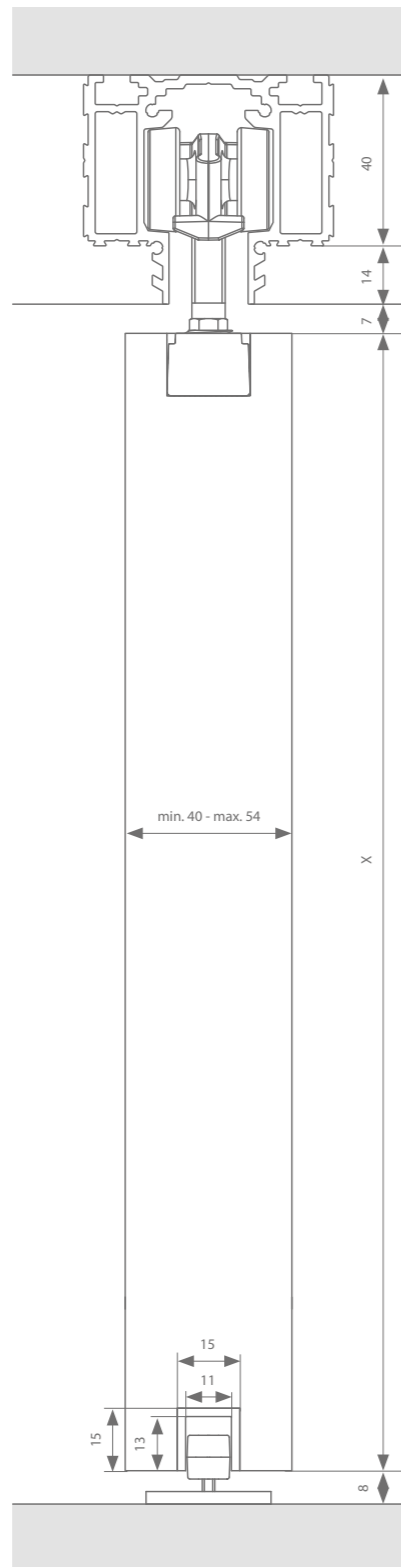
argenta
PROSLIDE INVISIBLE

Proslide invisible is a professional recessed system specially designed for ceiling-high applications. The track is hidden in the suspended ceiling, making it virtually invisible. The product is suitable for single, double and parallel doors

proslide invisible 40 / 44 / 50 / 54 mm up to 100 kg

Technische tekening

Manual- or auto-fix



Profiles

	ESSI-module (incl.)	Max. door width	Length	Reference F1	Reference RAL 9005
Running track	1 piece	1000 mm	2000 mm	22517112	22517212
	2 pieces	1500 mm	3000 mm	22517113	22517213
	2 pieces	2000 mm	4000 mm	22517114	22517214
	2 pieces	3000 mm	6000 mm	22517116	22517216
Bottom guide track (option)	1000 mm	1000 mm	1000 mm	22516101	22516101
	2000 mm	2000 mm	2000 mm	22516102	22516102
	3000 mm	3000 mm	3000 mm	22516103	22516103
	6000 mm	6000 mm	6000 mm	22516106	22516106

Fitting set selection

	Min. door width	Standard-stop	Slowstop	Slowstop small	Reference F1	Reference 9005
Manual-fix	550 mm	x 2			22513003	
	780 mm	x 1	x 1		22512403	22512413
	1030 mm		x 2		22513004	22513014
	980 mm			x 1	22199812	
Auto-fix	550 mm	x 2			22513005	
	780 mm	x 1	x 1		22512404	22512414
	1030 mm		x 2		22513006	22513016
	980 mm			x 1	22199813	

See p. 57-58 for all parts.



02

PROSLIDE GLASS

ARLU creates trustworthy and good operating interior doors even when it comes to more brittle materials such as glass. A sliding glass door demands a robust but elegant fitting to be fully appreciated. The proslide glass therefore relies on the roller assemblies, trimmings and the running profile of the application for wooden doors. Here the fix brackets are replaced by a universal glass clamp for glass thickness of 8, 10 and 12 mm, in combination with a floor guide for glass doors.





argenta
PROSLIDE GLASS

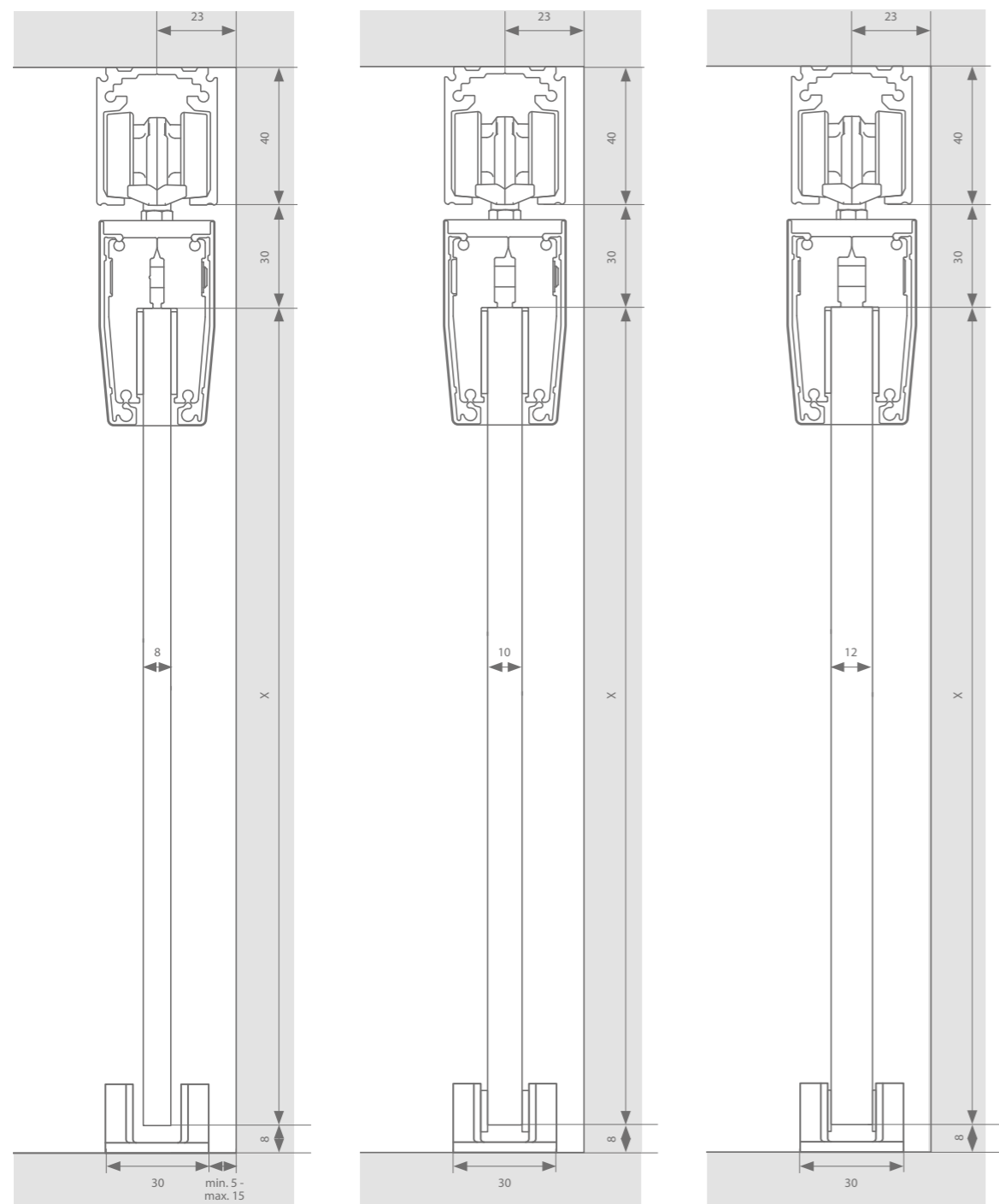
Proslide glass is a professional surface-mounted sliding door hardware system for both wall and ceiling applications. A timeless cover profile with matching end caps ensure both the running profile and the glass clamps are neatly concealed.

Technical drawings

ceiling mounted 8 mm

ceiling mounted 10 mm

ceiling mounted 12 mm



Profiles

	Max. door width	Length	Reference
Running track	1000 mm	2000 mm	22514012
	1500 mm	3000 mm	22514013
	2000 mm	4000 mm	22514014
	3000 mm	6000 mm	22514016
Cover profile glass - glass clamp	2000 mm	2000 mm	22015202
	3000 mm	3000 mm	22015203
	3000 mm	6000 mm	22015206
+ set of sealing pieces 8 mm			22612008
+ set of sealing pieces 10 mm			22612010
+ set of sealing pieces 12 mm			22612012
ESSI-module		50 mm	22599990

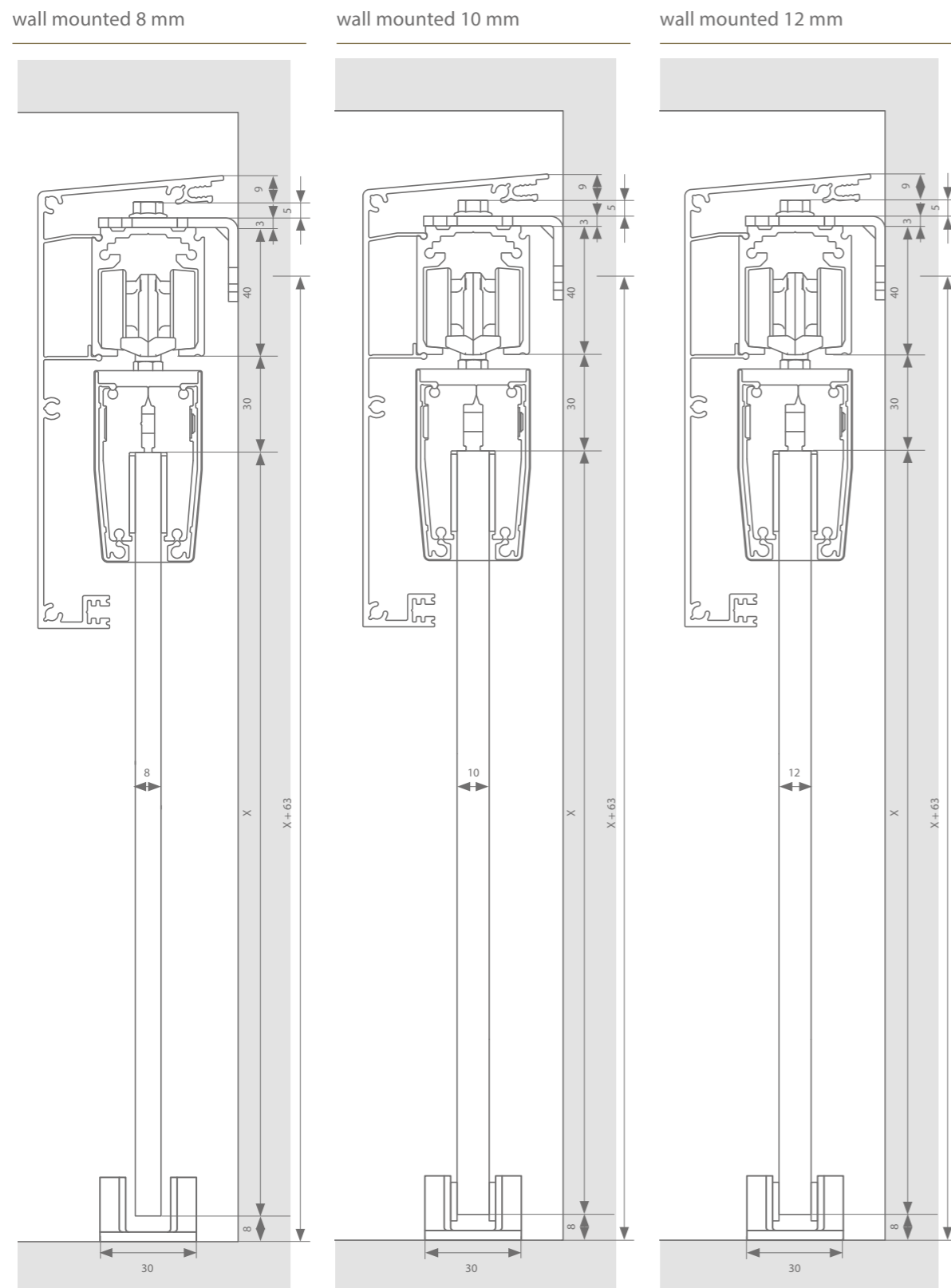
Fitting set selection

	Min. door width	Standard-stop	Slowstop	Slowstop small	Reference
8 mm	500 mm	x 2			22199800
	730 mm	x 1	x 1		22199801
	1030 mm		x 2		22199803
	950 mm			x 1	22199802
10 mm	500 mm	x 2			22199807
	730 mm	x 1	x 1		22199806
	1030 mm		x 2		22199804
	950 mm			x 1	22199805
12 mm	500 mm	x 2			22199808
	730 mm	x 1	x 1		22199809
	1030 mm		x 2		22199811
	950 mm			x 1	22199810

See p. 57-58 for all parts.

Beware! The minimum suggested glass width applies when the glass clamps are clamped 28.5mm from the side.

Technical drawings



Profiles

	Max. door width	Length	Reference
Running track	1000 mm	2000 mm	22514012
	1500 mm	3000 mm	22514013
	2000 mm	4000 mm	22514014
	3000 mm	6000 mm	22514016
Wall mounting: bracket (x 20)			22512101
+ Bolt and nut (x 20)			22512103
OR Wall mounting: profile	1000 mm	2000 mm	22512004
	1500 mm	3000 mm	22512001
	2000 mm	4000 mm	22512002
	3000 mm	6000 mm	22512003
Cover profile glass - profile	1000 mm	2000 mm	22615212
	1500 mm	3000 mm	22615213
	2000 mm	4000 mm	22615214
	3000 mm	6000 mm	22615216
Cover profile glass - glass clamp	2000 mm	2000 mm	22015202
	3000 mm	3000 mm	22015203
	3000 mm	6000 mm	22015206
+ set of sealing pieces 8 mm			22612008
+ set of sealing pieces 10 mm			22612010
+ set of sealing pieces 12 mm			22612012
ESSI-module		50 mm	22599990

Fitting set selection

	Min. door width	Standard-stop	Slowstop	Slowstop small	Reference
8 mm	500 mm	x 2			22199800
	730 mm	x 1	x 1		22199801
	1030 mm		x 2		22199803
	950 mm			x 1	22199802
10 mm	500 mm	x 2			22199807
	730 mm	x 1	x 1		22199806
	1030 mm		x 2		22199804
	950 mm			x 1	22199805
12 mm	500 mm	x 2			22199808
	730 mm	x 1	x 1		22199809
	1030 mm		x 2		22199811
	950 mm			x 1	22199810

See p. 57-58 for all parts.

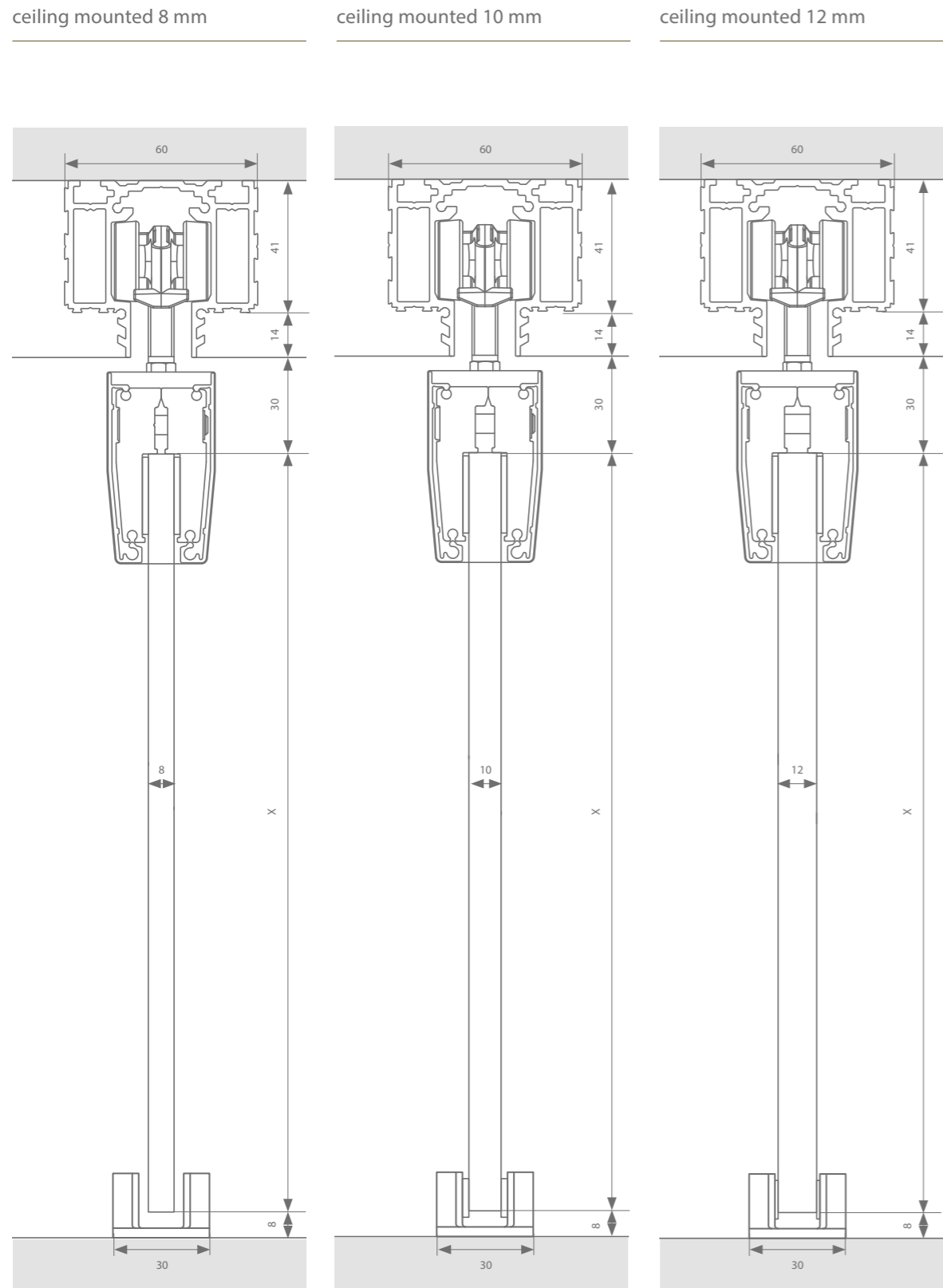
Beware! The minimum suggested glass width applies when the glass clamps are clamped 28.5mm from the side.



argenta
PROSLIDE INVISIBLE GLASS

Proslide invisible is a discrete system specially developed for ceiling high application with a minimalist finish. The track is recessed in a suspended ceiling, leaving it virtually invisible. A timeless cover profile and matching end caps ensure the glass clamps are neatly concealed.

Technical drawings



Profiles

	Max. door width	Length	Primer	Black anodized
Running track	1000 mm	2000 mm	22517112	22517212
	1500 mm	3000 mm	22517113	22517213
	2000 mm	4000 mm	22517114	22517214
	3000 mm	6000 mm	22517116	22517216
Cover profile glass - glass clamp	2000 mm	2000 mm	22015202	22015202
	3000 mm	3000 mm	22015203	22015203
	3000 mm	6000 mm	22015206	22015206
+ set of sealing pieces 8 mm			22612008	
+ set of sealing pieces 10 mm			22612010	
+ set of sealing pieces 12 mm			22612012	

Fitting set selection

	Min. door width	Standard-stop	Slowstop	Slowstop small	Reference
8 mm	560 mm	x 2			22199800
	780 mm	x 1	x 1		22199801
	1034 mm		x 2		22199803
	954 mm			x 1	22199802
10 mm	560 mm	x 2			22199807
	780 mm	x 1	x 1		22199806
	1034 mm		x 2		22199804
	954 mm			x 1	22199805
12 mm	560 mm	x 2			22199808
	780 mm	x 1	x 1		22199809
	1034 mm		x 2		22199811
	954 mm			x 1	22199810

See p. 57-58 for all parts.

Beware! The minimum suggested glass width applies when the glass clamps are clamped 28.5mm from the side.

PRODUCT CONFIGURATOR

PROSLIDE SURFACE-MOUNTED - WOOD 40 / 44 MM

Order sequence		Reference			
1 Running track		F1	RAL 9005		
		2 m	22514012 22514112		
		3 m	22514013 22514113		
		4 m	22514014 22514114		
		6 m	22514016 22514116		
		ESSI-module	50 mm	22599990 22599996	
			Reference		
			black	22512604	
		Without cover profile + set of sealing pieces	white	22512605	
			grey	22512600	
2 Cover profile		F1	RAL 9005		
		2 m	22512004 -		
	wall mounting profile	3 m	22512001 -		
		4 m	22512002 -		
		6 m	22512003 -		
		+			
	bolts & nuts	per 10	22512105 -		
		per 20	22512103 -		
	OR				
		bracket + bolt & nut	per 1 pc.	22512101 -	
	Wall mounting		2 m	22520112 22520212	
			3 m	22520113 22520213	
			4 m	22520114 22520214	
			6 m	22520116 22520216	
			+ set of sealing pieces	for single cover profile	22512711 22512813
		cover profile	2 m	22515112 22515212	
			3 m	22515113 22515213	
			4 m	22515114 22515214	
			6 m	22515116 22515216	
				for single cover profile	22512701 22512901
	for double cover profile		22512702 22512902		
Ceiling mounting		2 m	22515112 22515212		
		3 m	22515113 22515213		
		4 m	22515114 22515214		
		6 m	22515116 22515216		
		for single cover profile	22512701 22512901		
		for double cover profile	22512702 22512902		

Order sequence		Reference			Info		
3 Accessories	Integrated door profile (only for manual- & auto-fix)	profile (F1)	1 m	22516201			
			2 m	22516202			
			6 m	22516206			
		+ set of sealing pieces	black	22599993			
			white	22599994			
	Bottom guide track	profile (F1)	1 m	22516101			
			2 m	22516102			
			3 m	22516103			
			6 m	22516106			
			Door handles	C-greep	Inox-look	22099971	
MAT 9005	22100017						
Self-closing (only with slowstop + standard stop)	selfclose	F1	22099970				
4 Fitting set	Standard-fix	Standard-stop	x 2	22513001	-		
		Slowstop	x 1	22512402	-		
		Slowstop small	x 2	22513002	-		
	Manual-fix	Standard-stop	x 2	22513003	-		
		Slowstop	x 1	22512403	22512413		
		Slowstop small	x 2	22513004	22513014		
	Auto-fix	Standard-stop	x 1	22199812	-		
		Slowstop	x 2	22513005	-		
		Slowstop small	x 1	22512404	22512414		
	Side-fix	Standard-stop	x 2	22513006	22513016		
		Slowstop	x 1	22199813	-		
		Slowstop small	x 1	22199814	-		
	5 Construction project hardware	Fitting set (excl. profile)	Reference			Info	
			2 doors			3 doors	4 doors
			telescopic	22099974	22099975	-	incl. rollers & stoppers
symmetrical / simultaneous			22099973	-	-	incl. rollers & stoppers	
parallel			22010210	22010211	-	set of rollers and stoppers to be ordered separately	
telescopic/ symmetrical			-	-	22099976	incl. rollers & stoppers	
folding doors			22099982	-	-	incl. rollers & stoppers	

PRODUCT CONFIGURATOR

PROSLIDE SURFACE-MOUNTED - WOOD 50 / 54 MM

Order sequence		Reference		
1	Running track	F1	RAL 9005	
		2 m	22514012 22514112	
		3 m	22514013 22514113	
		4 m	22514014 22514114	
		6 m	22514016 22514116	
	ESSI-module	50 mm	22599990 22599996	
			Reference	
	Without cover profile + set of sealing pieces	black	22512604	
		white	22512605	
		grey	22512600	
		F1	RAL 9005	
2	Wall mounting	wall mounting profile	2 m	22512004 -
			3 m	22512001 -
			4 m	22512002 -
			6 m	22512003 -
		bolts & nuts	per 10	22512105 -
			per 20	22512103 -
	OR	bracket + bolt & nut	per 1 piece	22512101 -
			packing profile	2 m 22519112 -
	OR	packing profile	3 m	22519113 -
			4 m	22519114 -
			6 m	22519116 -
		packing clips	1 pc. / 50 mm	22099983 -
			1 pc. / 100 mm	22099984 -
			cover profile	2 m
	3 m	22521113 -		
	4 m	22521114 -		
	6 m	22521116 -		
	+ set of sealing pieces	for single cover profile	22512712 22512911	
		packing profile	2 m	22519112 -
	3 m		22519113 -	
4 m	22519114 -			
6 m	22519116 -			
OR	packing clips	1 pc. / 50 mm	22099983 -	
		1 pc. / 100 mm	22099984 -	
Ceiling mounting	cover profile	2 m	22515112 22515212	
		3 m	22515113 22515213	
		4 m	22515114 22515214	
		6 m	22515116 22515216	
	+ set of sealing pieces	for single cover profile	22512703 22512903	
		for double cover profile	22512702 22512904	

Order sequence		Reference					
3	Integrated door profile (only for manual- & auto-fix)	profile (F1)	1 m 22516201				
			2 m 22516202				
			6 m 22516206				
		+ set of sealing pieces	black	22599993			
			white	22599994			
	Bottom guide track	profile (F1)	grey	22599995			
			1 m	22516101			
			2 m	22516102			
			3 m	22516103			
			6 m	22516106			
		Standard-stop	Slowstop	Slowstop small	F1	RAL 9005	
4	Standard-fix	x 2			22513001	-	
		x 1	x 1		22512402	-	
			x 2		22513002	-	
	Manual-fix	x 2			22513003	-	
		x 1	x 1		22512403 22512413		
			x 2		22513004 22513014		
				x 1	22199812 -		
				x 2	22513005 -		
	Auto-fix	x 1	x 1		22512404 22512414		
			x 2		22513006 22513016		
			x 1	22199813 -			
Side-fix			x 1	22199814 -			
		Reference		Info			
5	Door handles	c-greep	inox-look	22099971	-		
			MAT 9005	22100017	-		
	Self-closing	selfclose	F1	22099970	only in combination with slowstop + standard stop		
		Reference		Info			
6	Fitting set (excl. profile)	telescopic	2 doors	22099974	22099975	-	incl. rollers & stoppers
			3 doors				
		symmetrical / simultaneous	22099973	-	-	incl. rollers & stoppers	
			parallel	22010210	22010211	-	set of rollers and stoppers to be ordered separately
		telescopic / symmetrical	-	-	22099976	incl. rollers & stoppers	
		folding door	22099982	-	-	incl. rollers & stoppers	

PRODUCT CONFIGURATOR

PROSLIDE INVISIBLE - WOOD 40 / 44 / 50 / 54

Order sequence		Reference						
1	Running track			Primer	Black anodized			
		2 m (incl. 1x ESSI)	22517112	22517212				
		3 m (incl. 1x ESSI)	22517113	22517213				
		4 m (incl. 1x ESSI)	22517114	22517214				
		6 m (incl. 1x ESSI)	22517116	22517216				
2	Bottom guide track	profile (F1)	1 m	22516101				
			2 m	22516102				
			3 m	22516103				
			6 m	22516106				
			Integrated door profile	profile (F1)	1 m	22516201		
			2 m	22516202				
			6 m	22516206				
			black	22599993				
		+ set of sealing pieces	white	22599994				
			grey	22599995				
	Door handles	c-greep	inox-look	22099971				
			MAT 9005	22100017				
	3	Fitting set	Manual-fix	Standard-stop	Slowstop	Slowstop small	Primer	Black anodized
				x 2			22513003	-
				x 1	x 1		22512403	22512413
				x 2		22513004	22513014	
					x 1	22199812	-	
Auto-fix			x 2			22513005	-	
			x 1	x 1		22512404	22512414	
					x 2	22513006	22513016	
						x 1	22199813	-

PRODUCT CONFIGURATOR

PROSLIDE SURFACE-MOUNTED - GLASS

Order sequence					Reference			
1	Running track			2 m	22514012			
				3 m	22514013			
				4 m	22514014			
				6 m	22514016			
		ESSI-module		50 mm		22599990		
2	Glass clamp			2 m	22015202			
		cover profile glass clamp		3 m	22015203			
				6 m	22015206			
		+ set of sealing pieces		8 mm	22612008			
				10 mm	22612010			
	Running track without cover profile	+ set of sealing pieces		12 mm	22612012			
				black	22512604			
				white	22512605			
				grey	22512600			
		Wall mounting	Wall mountingsprofile			2 m	22512004	
				3 m	22512001			
				4 m	22512002			
				6 m	22512003			
	+			per 10	22512105			
	OR		bolts & nuts		per 20	22512103		
bracket + bolt & nut			per 1 piece	22512101				
cover profile			2 m	22615212				
			3 m	22615213				
			4 m	22615214				
		6 m	22615216					
3	Fitting set			Standard-stop	Slowstop	Slowstop small	Reference	
		8 mm	x 2					22199800
			x 1		x 1			22199801
						x 2		22199803
		10 mm					x 1	22199802
			x 2					22199807
			x 1		x 1			22199806
						x 2		22199804
							x 1	22199805
		12 mm	x 2					22199808
			x 1		x 1			22199809
						x 2		22199811
							x 1	22199810

PRODUCT CONFIGURATOR

PROSLIDE INVISIBLE - GLASS

Order sequence		Reference		
1	Running track		Primer Black anodized	
		2 m (incl. 2 x ESSI)	22517112 22517212	
		3 m (incl. 2 x ESSI)	22517113 22517213	
		4 m (incl. 2 x ESSI)	22517114 22517214	
2	Glass clamp	Running track	6 m (incl. 2 x ESSI) 22517116 22517216	
		cover profile glass clamp	2 m	22015202
			3 m	22015203
			6 m	22015206
		+ set of sealing pieces	8 mm	22612008
			10 mm	22612010
			12 mm	22612012
3	Fitting set	Standard-stop	Reference	
		8 mm	x 2	22199800
			x 1 x 1	22199801
			x 2	22199803
		10 mm	x 1	22199802
			x 2	22199807
			x 1 x 1	22199806
		12 mm	x 2	22199804
			x 1	22199805
			x 2	22199808
		12 mm	x 1 x 1	22199809
			x 2	22199811
x 1	22199810			

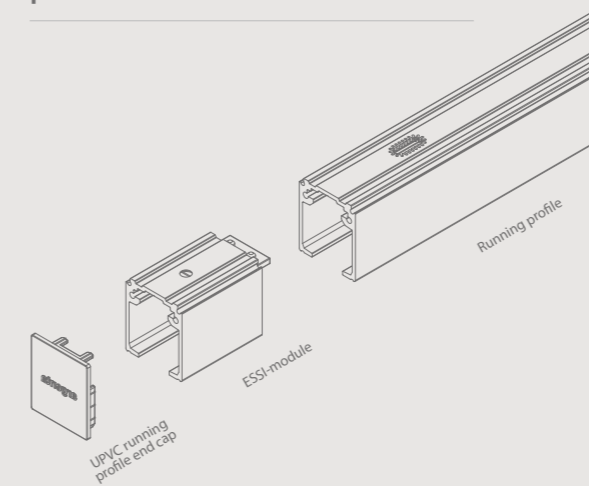
GENERAL INFO

Min. door width

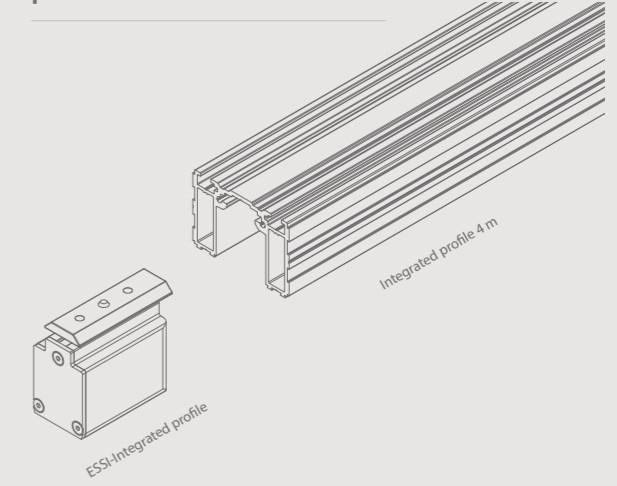
	proslide			proslide invisible				
	Standard-stop	Slowstop	Slowstop small	NO ESSI	x 1 ESSI	x 2 ESSI	x 1 ESSI (+60 mm)	x 2 ESSI (+120 mm)
Standard-fix	x 2			500 mm	500 mm	500 mm	-	-
	x 1	x 1		730 mm	730 mm	730 mm	-	-
		x 2		930 mm	930 mm	930 mm	-	-
Manual-fix	x 2			500 mm	550 mm	600 mm	560 mm	620 mm
	x 1	x 1		730 mm	730 mm	830 mm	780 mm	840 mm
		x 2		930 mm	930 mm	930 mm	1030 mm	1030 mm
			x 1	880 mm	880 mm	880 mm	980 mm	980 mm
Auto-fix	x 2			500 mm	550 mm	600 mm	560 mm	620 mm
	x 1	x 1		730 mm	730 mm	830 mm	780 mm	840 mm
		x 2		930 mm	930 mm	930 mm	1030 mm	1030 mm
			x 1	880 mm	880 mm	880 mm	980 mm	980 mm

Parts overview

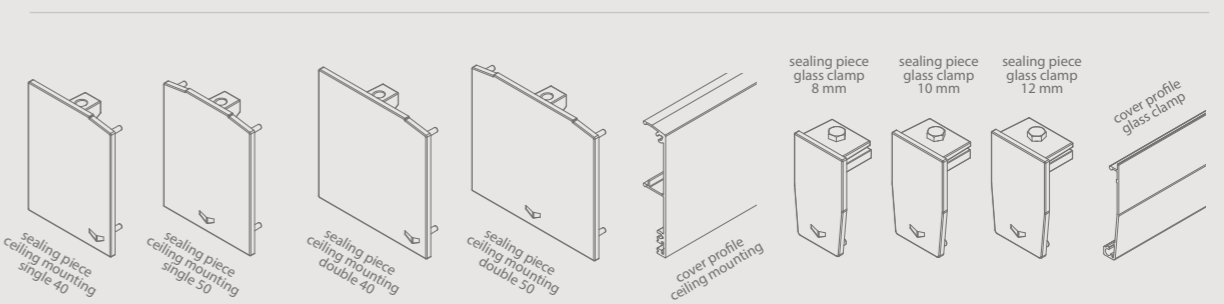
proslide



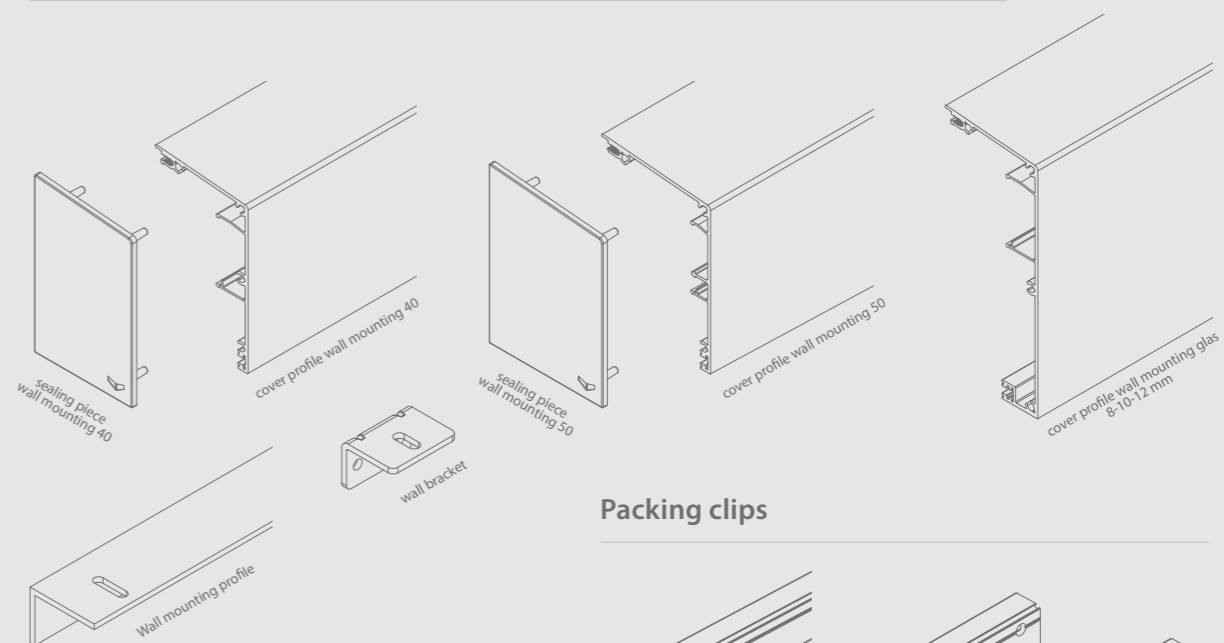
proslide invisible



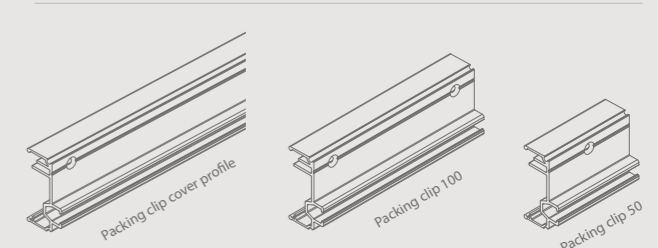
Ceiling mounting



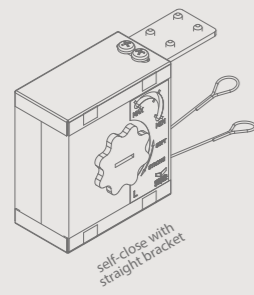
Wall mounting



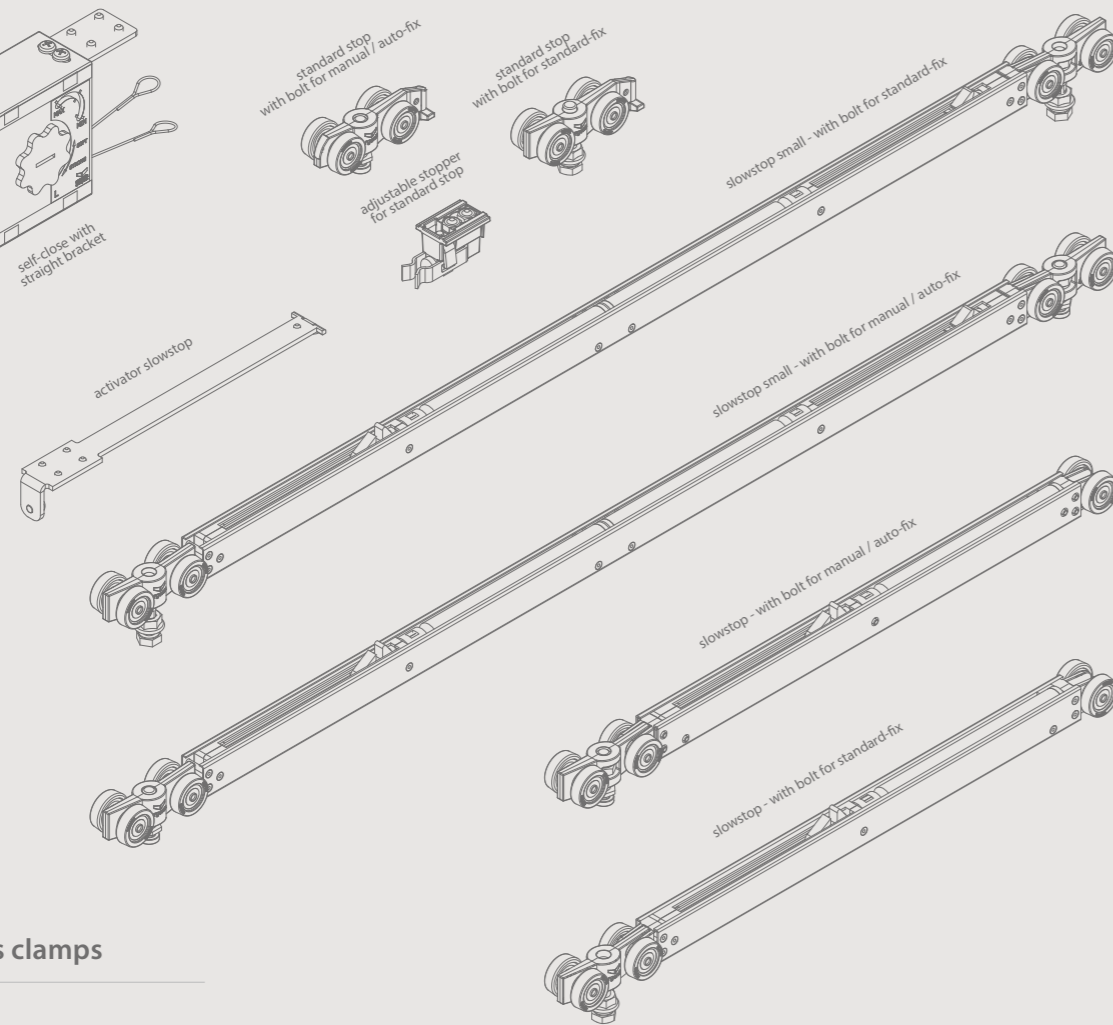
Packing clips



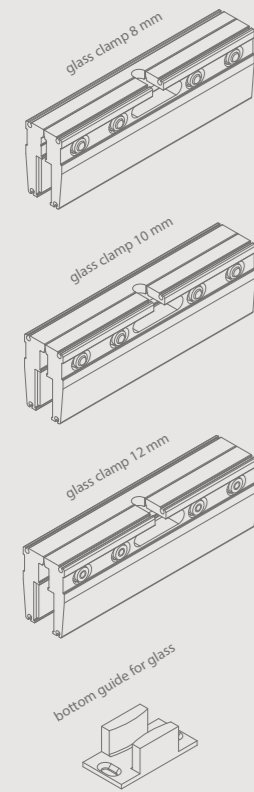
Accessories



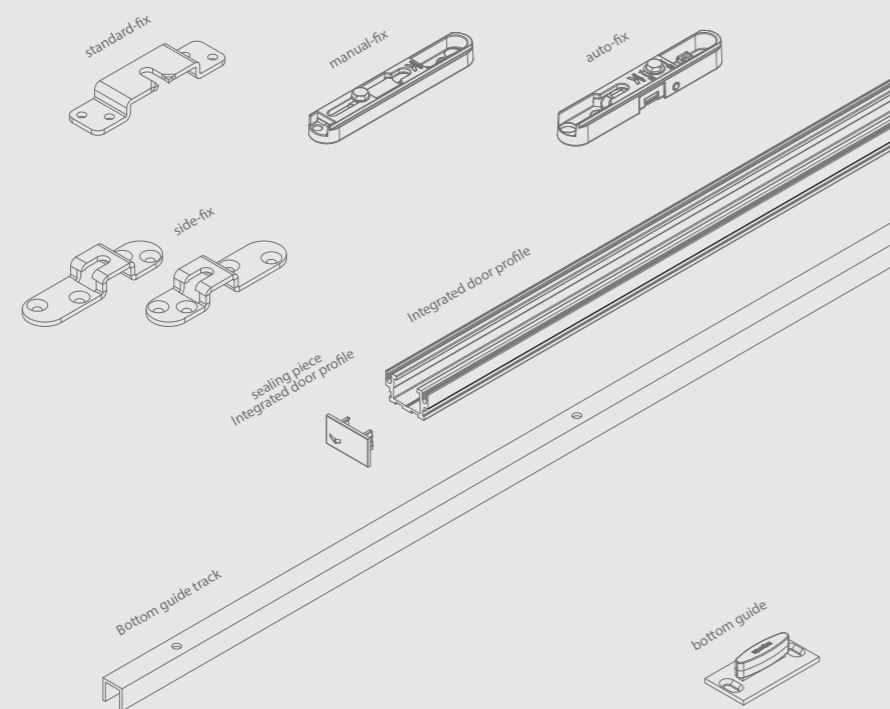
Fitting set



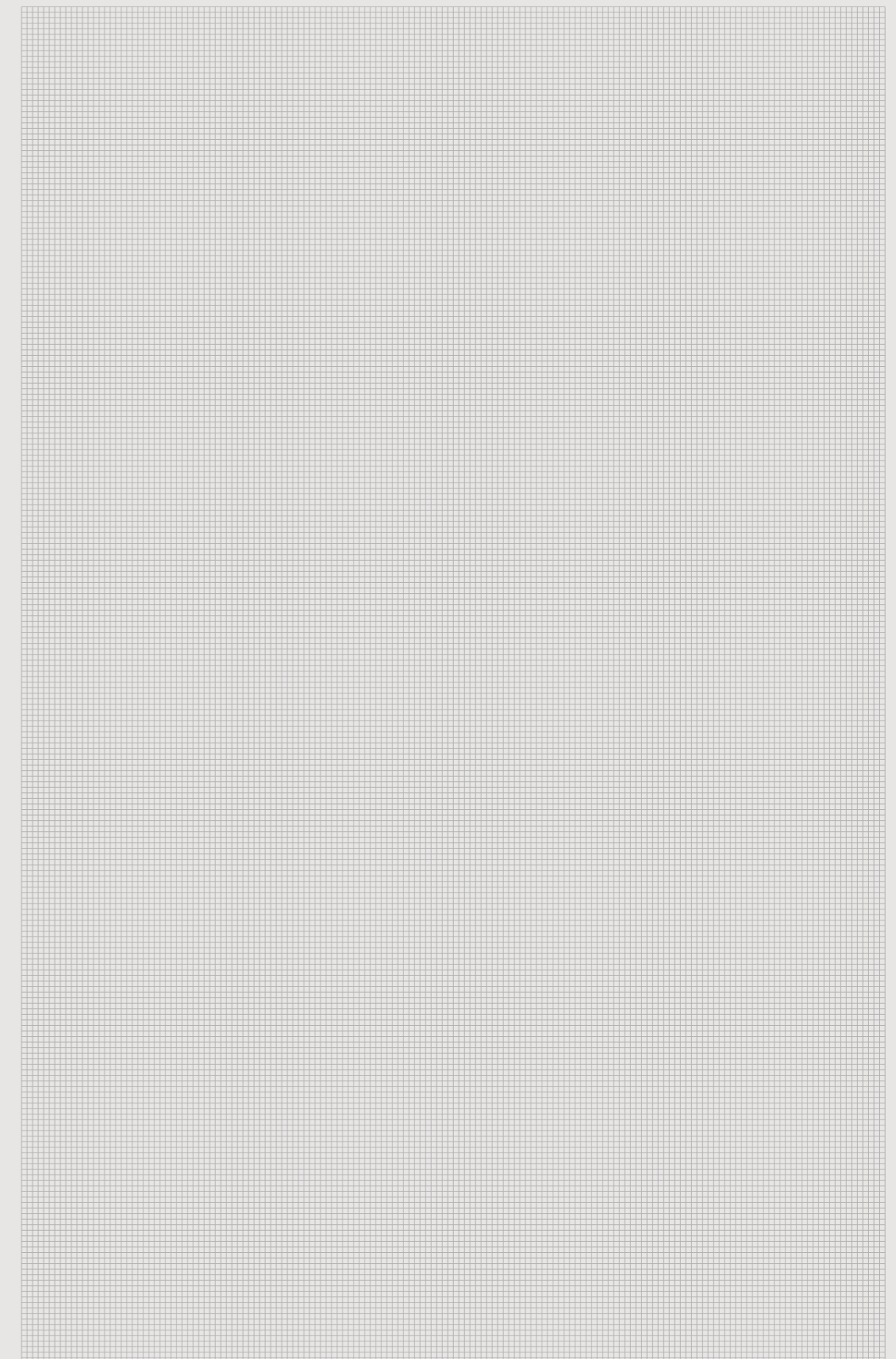
Glass clamps



Suspension



NOTES





Ter Vlucht 2 +32 (0)51 27 05 00
8850 Ardoorie info@arlu.be
Belgium WWW.ARLU.BE



©L300055 01/22 English