

## PRODUCTO

### BISAGRA OCULTA MODELO 506, ZAMAK Y ACETAL

#### ► DESCRIPCIÓN

Bisagra invisible, modelo 506, para puertas de paso no solapadas y para marcos de madera. Profundidad de fresado reducida de 21 mm. Sistema funcional de bisagra completamente oculto. Regulación en 3 sentidos (lateral +/- 1,5 mm, altura +/- 2,5 mm, profundidad +/- 1,0 mm). Hasta 60 kg, (2 bisagras). Material: Zamak y acero. Medidas: 110x24 mm.

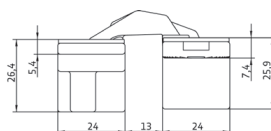
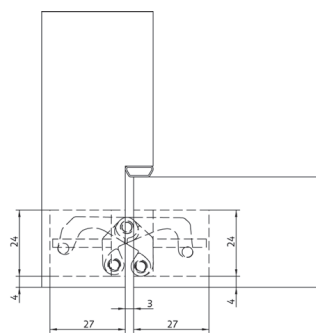
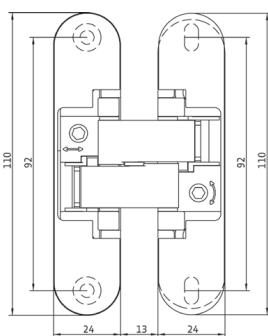
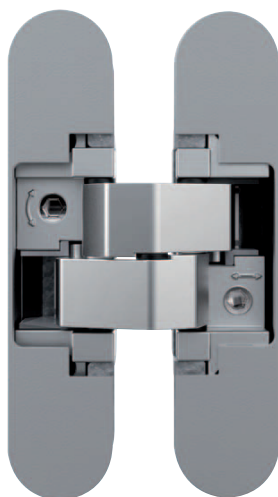
#### ► MATERIAL

Zamak.

#### ► ACABADO

Cromo satinado, níquel satinado, negro satinado y blanco.

## IMÁGENES



## OTROS DATOS

### REF. AN 180 3D

MEDIDA: 110x24 mm

CÓDIGO	REFERENCIA	ACABADO
96466	AN 180 3D-49	Blanco
96467	AN 180 3D-18	Negro satinado
96468	AN 180 3D-14	Cromo satinado
96469	AN 180 3D-44	Níquel satinado

## AN 180 3D

for unrebated residential doors up to 80 kg

hinge		up to 80 kg
-------	--	-------------

### Product features

- completely concealed hinge system
- for timber frames
- for unrebated residential doors
- 3D adjustable (side +/- 1.5 mm, height +/- 2.5 mm, compression +/- 1.0 mm)
- material zamak / steel

### Technical details

load capacity	2 hinges per door leaf (900x2100 mm)	80.0 kg
overall length		110.0 mm
width (frame)		24.0 mm
width (door)		24.0 mm
cutter diameter		14.0 or 16.0 mm
collar ring diameter		25.0 or 27.0 mm
opening angle		180°

### Finish

Satin Chrome (AN 014), Coated Bronze (AN 017), Black (AN 018), Antique Bronze (AN 035), Aluminium Chrome (AN 036), Polished Brass (AN 037), Polished Chrome (AN 039), Satin Nickel (AN 044), RAL 9016 Traffic White (AN 049)

### Combination

receiver	casing frame	AN 140 3D FZ
----------	--------------	--------------

### Note

The load capacity mentioned above refers to the use of 2 hinges per door leaf (900 x 2100 mm).

### Suggested screws:

Frame side: Countersunk head screws DIN 7505 A, Diameter 4.5 mm

Door side: Pan head screws DIN 7505 B, Diameter 4.5 mm