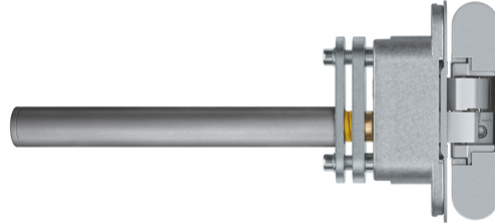


ANSELMi - AN 108 3D SC45

AN 108 3D SC45

with integrated closing and damping function
for residential doors up to 45 kg

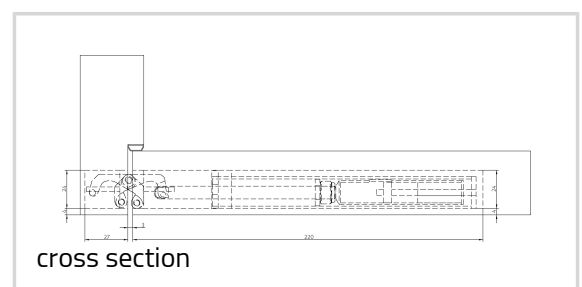
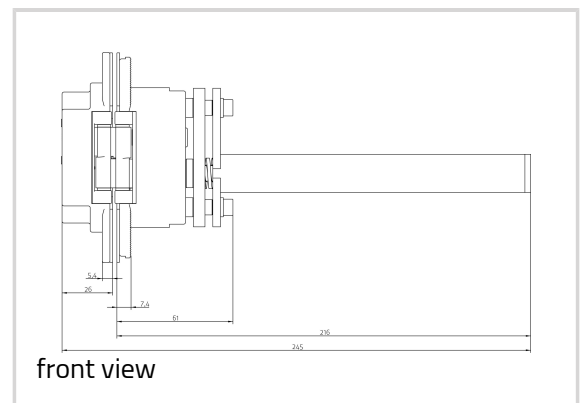


Product features

- self closing hinge system with integrated damping function
- closing power up to 45 kg
- completely concealed hinge system
- for timber and aluminium frames
- for unrebated residential doors
- adjustable closing power when door is installed
- material zamak

Technical data

| Property | Value |
|----------------------|----------|
| Overall length | 110,0 mm |
| Width (door part) | 24,0 mm |
| Width (frame part) | 24,0 mm |
| Cutter diameter | 16,0 mm |
| Collar ring diameter | 27,0 mm |
| Opening Angle | 180° |



Notes

The closing power mentioned above refers to the use of one self

ANSELMI - AN 108 3D SC45

closing hinge per door leaf (900 x 2100 mm).

Finishes shown on the model version AN 160 3D. Deviations possible with this model version.

The self closing hinge has to be used only in combination with the given hinges and has to be installed at half the height of the door leaf, approximately at the same height of the lock (magnetic lock recommended).

The installation on doors subject to specific norms has to be verified by the customer according to the national law.

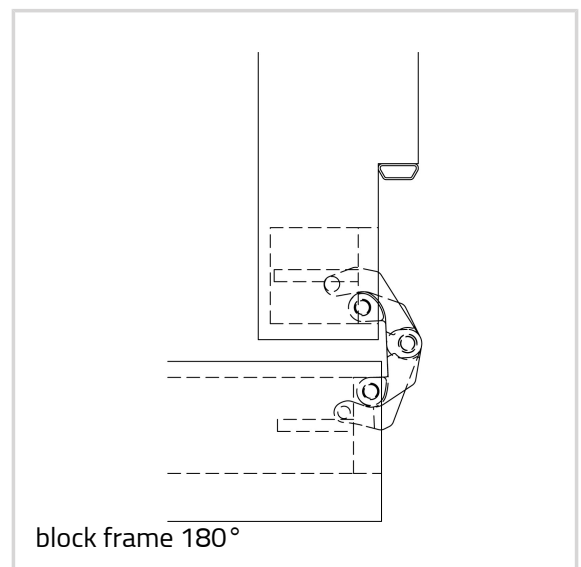
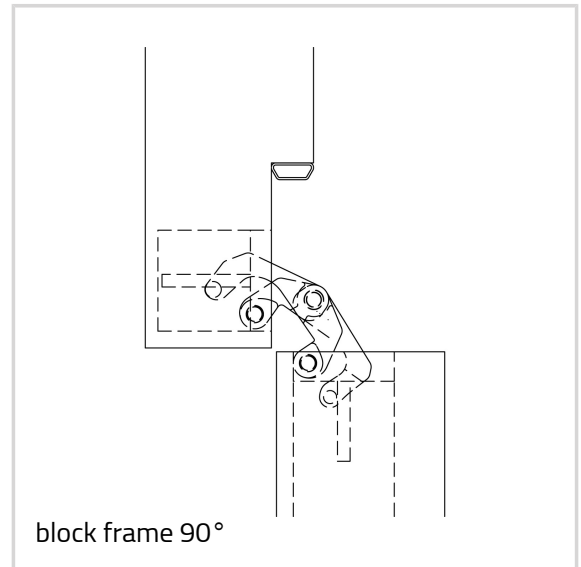
Alternatively, the routing can be carried out with a cutter diameter of 14,0 mm and a collar ring diameter of 25,0 mm.

Combinations

AN 140 3D
AN 160 3D
AN 140 3D FZ

Item versions

| | |
|--------|---------------------------|
| Finish | Satin Chrome (AN 014) |
| OF-No. | AN 014 |
| VPE | pack of 1 |
| DIN | DIN right and left hand |
| EAN | 8054608700277 |
| Finish | Black (AN 018) |
| OF-No. | AN 018 |
| VPE | pack of 1 |
| DIN | DIN right and left hand |
| EAN | 8054608700284 |
| Finish | Antique Bronze (AN 035) |
| OF-No. | AN 035 |
| VPE | pack of 1 |
| DIN | DIN right and left hand |
| EAN | 8054608700239 |
| Finish | Aluminium Chrome (AN 036) |
| OF-No. | AN 036 |



ANSELMi - AN 108 3D SC45

| | |
|--------|---------------------------------|
| VPE | pack of 1 |
| DIN | DIN right and left hand |
| EAN | 8054608700192 |
| Finish | Polished Brass (AN 037) |
| OF-No. | AN 037 |
| VPE | pack of 1 |
| DIN | DIN right and left hand |
| EAN | 8054608700208 |
| Finish | Polished Chrome (AN 039) |
| OF-No. | AN 039 |
| VPE | pack of 1 |
| DIN | DIN right and left hand |
| EAN | 8054608700246 |
| Finish | Satin Nickel (AN 044) |
| OF-No. | AN 044 |
| VPE | pack of 1 |
| DIN | DIN right and left hand |
| EAN | 8054608700215 |
| Finish | RAL 9016 Traffic White (AN 049) |
| OF-No. | AN 049 |
| VPE | pack of 1 |
| DIN | DIN right and left hand |
| EAN | 8054608700222 |