

# DOOR DAMPER



## LDD-V



Right-handed

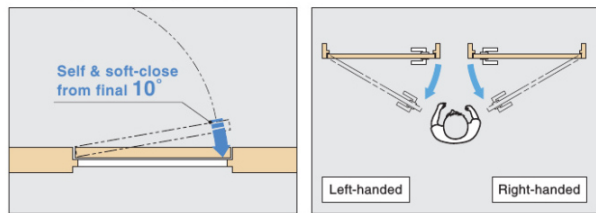


### Features

- Concealed type.
- Grips door at final 10° and self-closes doors more gently compared to other door closers, putting less stress on the hinges.
- Closing speed adjustable even after installation.
- Counter plate has 3-way-adjustment function.
- Recommended Door Specifications:
  - Thickness : Min. 33 mm
  - Width : Max. 900 mm
  - Weight : 15 - 40 kg
- Successfully passed for the 100,000 open/close private cycle test.
- Recommended hinge: HES3D series (P.470-473)
- Adjustment Jig LDD-V-JIG & Template LDD-V-TMP available (P.719).

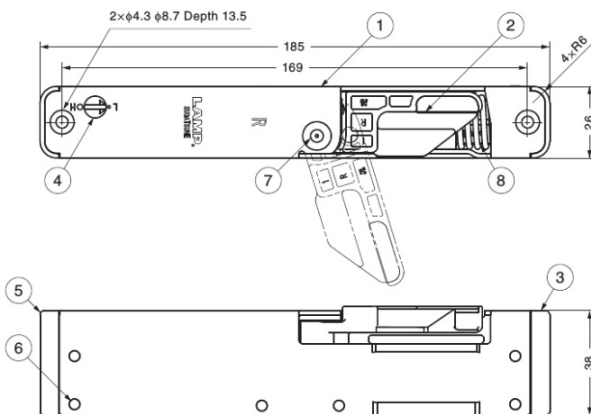
### Parts Included

- Binding head tapping screw 4×45
- Binding head tapping screw 3.5×15



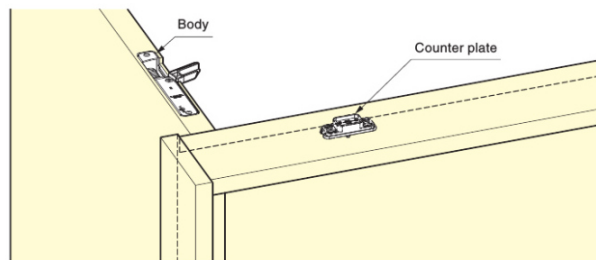
Right-handed type shown.

### Body

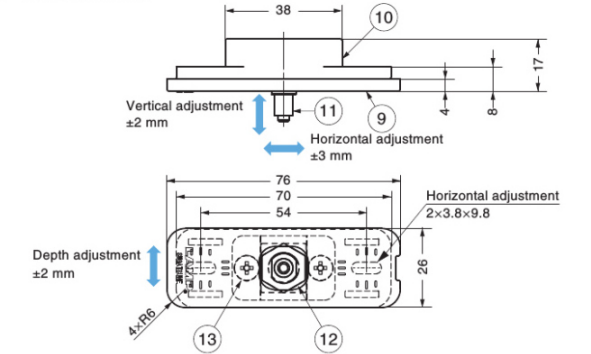


### Installation

※Below drawing shows right-handed.



### Counter Plate



No.	Part Name	Material	Finish/Colour
①	Body Case	Steel (SPCC)	Clear Zinc Chromate
②	Arm	Polyacetal (POM)	Grey
③	Spring Base	Polyacetal (POM)	Grey
④	Damper Force Adjustment Shaft	Polyacetal (POM)	Grey
⑤	Damper Base	Polyacetal (POM)	Grey
⑥	Countersunk Hollow Pin	Steel (SWCH)	Clear Zinc Chromate
⑦	Shoulder Shaft	Steel (SUM)	Nickel
⑧	Spring	Steel (SWP)	Clear Zinc Chromate
⑨	Counter Plate Cover	Polyacetal (POM)	Grey
⑩	Counter Plate Case	Polyacetal (POM)	Grey
⑪	Counter Plate Shaft	Steel (SUM)	Nickel
⑫	Vertical Adjustment Screw	Steel (SWRCH)	Clear Zinc Chromate
⑬	Depth Adjustment Screw	Steel (SWCH)	Clear Zinc Chromate

Item Code	Item Name	Type	Door Width	Door Thickness	Door Weight	Weight	Carton
270-017-563	LDD-V-R	Right-handed	Max. 900	Min. 33	15~ 40 kg	427 g	24 pcs
270-017-564	LDD-V-L	Left-handed	Max. 900	Min. 33	15~ 40 kg	427 g	24 pcs